

CANVAS



Robin Sprong
COLLECTION

Artwork - "Smoke in the bay" by Donna Solovei - 90"W x 43"H x 2"D Panel

EZO
B O R D



MEET CANVAS

Artwork - "Lagoon" by Donna Solovei - 3 Section Composition of 43"W x 90"H x 2"D Panels

Personalize Your Space with Acoustic Artistry

Introducing Canvas by EzoBord, a unique fusion of art and acoustic innovation that transcends traditional wall decor. Crafted through EzoBord's unique EzoPrint dye sublimation process, Canvas showcases the captivating works of independent artists from South Africa's Robin Sprong Collection. Each panel reflects the profound artistic inspiration behind it, like Donna Solovei's emotive body of work, intertwining emotion and thought in a synchronicity of impressions from nature.



Artwork - "Winter Evening" by Donna Solovei
90"W x 43"H x 2"D Panel

Canvas Appeal

What sets Canvas apart is not just its aesthetic appeal but its acoustic functionality. Utilizing EzoBord's PET material, Canvas transforms into acoustic art, proficiently reducing noise and reverberation, providing both a visually striking and sonically soothing experience. With a versatile range of configurations and orientations, be it vertical, horizontal, or distributed across multiple panels, Canvas allows you to curate splendor, elevating the aesthetics of your wall space.

User-friendly and easy to mount, Canvas is perfect for personal living spaces, such as condos, residences, or any environment where people live and work. Adding Canvas to your space delivers an infusion of serenity and atmosphere. Additionally, customization is at your fingertips, with local production and resources available to help you create a personalized masterpiece, though additional fees may apply.

In line with EzoBord's commitment to sustainability, Canvas is crafted from recyclable materials, contributing to green initiatives and supporting local manufacturing. Choosing Canvas not only enhances your space but also aligns with eco-conscious values, reducing your carbon footprint.

Elevate your surroundings with the harmonious blend of art, acoustics, and sustainability – experience Canvas by EzoBord today.



Artwork - "Ocean Blues" by Donna Solovei
2 Section Composition of 43"W x 43"H x 2"D Panels



Artwork - "Endlessness" by Donna Solovei - 2 Section Composition of 43"W x 43"H x 2"D Panels



Artwork - "High Tide" by Donna Solovei - 90"W x 43"H x 2"D Panel



Artwork - "Deep Blue" by Donna Solovei - 3 Section Composition of 43"W x 90"H x 2"D Panels



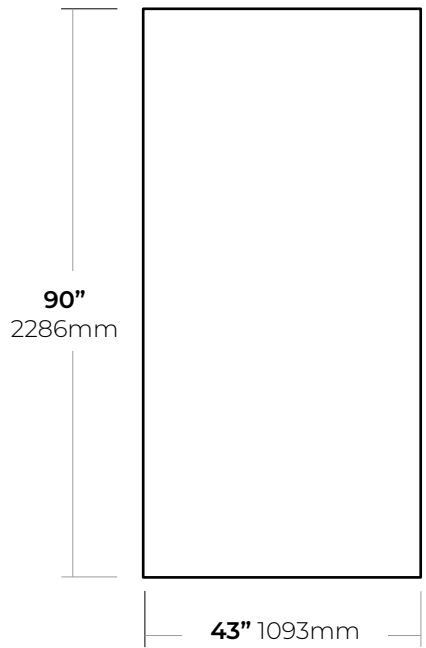
KNOW MORE
AT EZOBORD.COM



EXPLORE OTHER
ARTIST PATTERNS



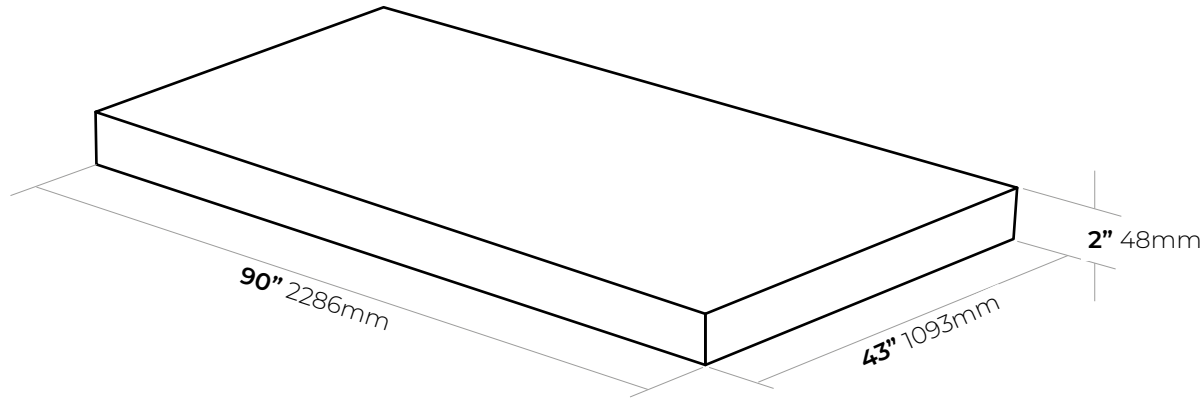
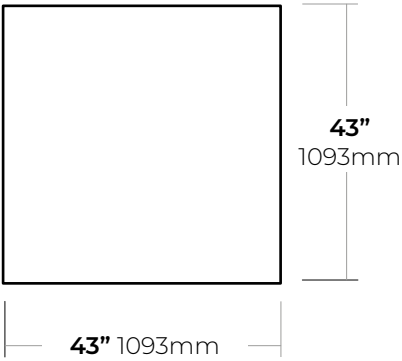
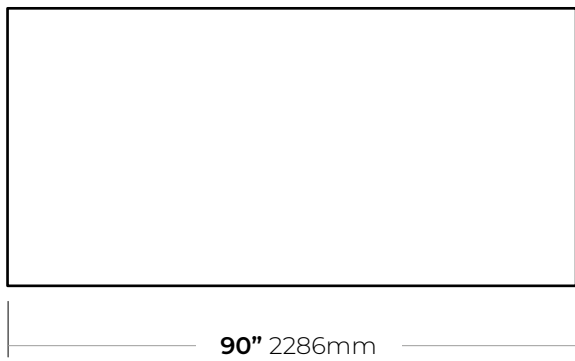
SIZES



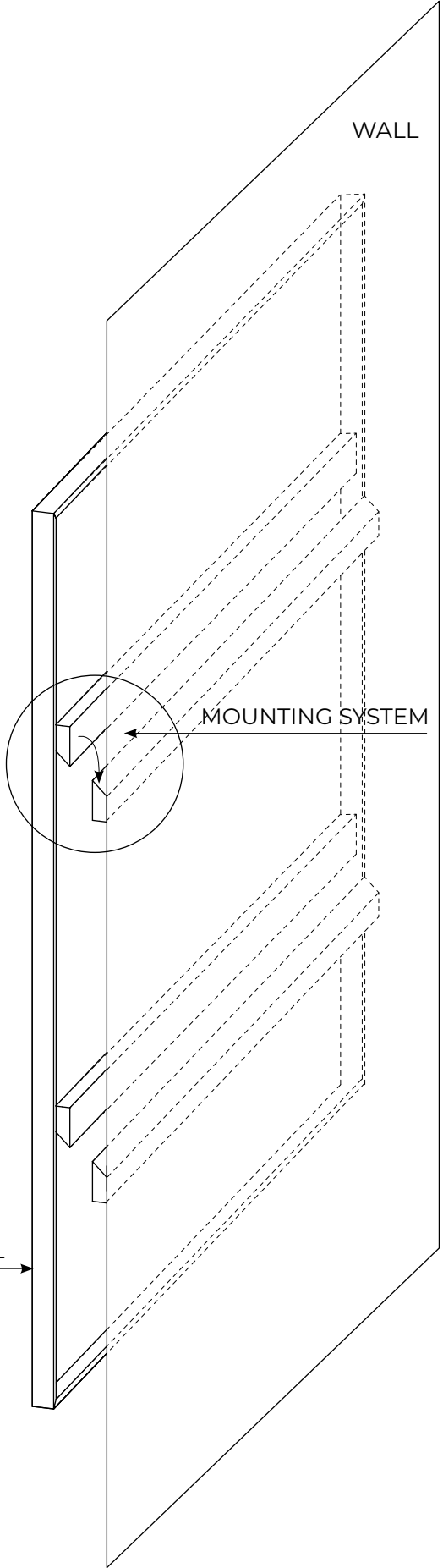
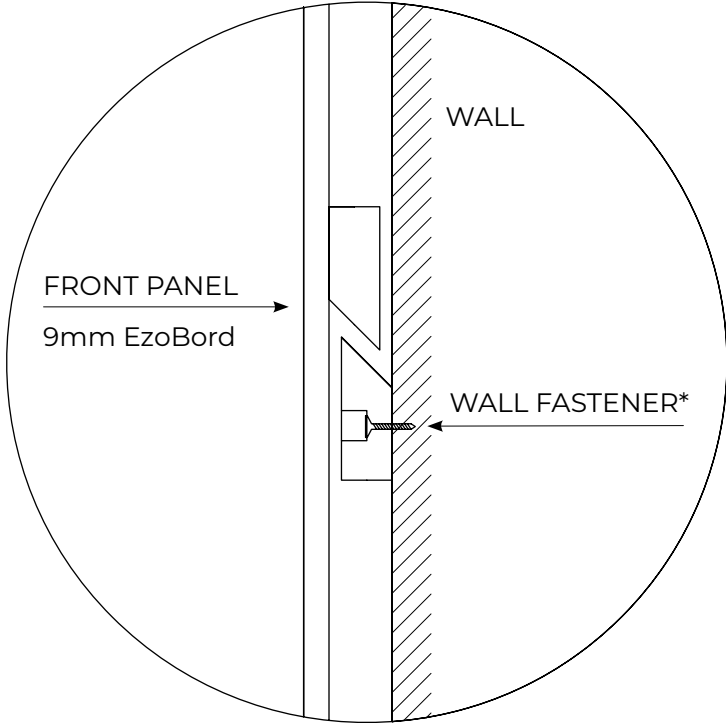
WIDTH	HEIGHT	DEPTH
90" 2286mm	43" 1093mm	2" 48mm
43" 1093mm	90" 2286mm	2" 48mm
43" 1093mm	43" 1093mm	2" 48mm



Corner detail



EZO Z CLIP MOUNTING BAR



*wall fastener not included

SPECIFICATIONS

COMPOSITION

9mm EzoPrint, 100% PET (min 50% recycled content)* acoustic panel with integrated air cavity and self contained mounting kit.

CLEANING

Remove dust and dirt with gentle vacuuming (no brush) or light application of compressed air. Care should be taken not to rub or abrade the surface. Warm distilled water may be used to remove stains. If necessary, a color safe cleaning solution may be used. If using a cleaner be sure to test in an inconspicuous location first. Do not use bleach or solvent based cleaners.

FIRE TESTING

NORTH AMERICA:

- ASTM E-84 Class A*
- CAN ULC S102-10

EUROPE AND UK:

- EN13501-1: 2007

ENVIRONMENT

This product is made from 100% polyester fiber with minimum 50% recycled content and contributes to LEED MR Credit and BREEAM Health and Wellbeing Materials points due to recycled content, acoustic performance, and low VOC emitting materials. Other specifications include:

- Low VOC, CDPH v1.2 compliant
- Reach Compliant
- Declare - Red List Free
- Health Product Declaration
- Zero waste manufacturing initiative

USGBC LEED V4 CREDITS

While individual products do not 'earn' LEED credits, EzoBord can contribute to the following LEED v4 Credits. Please refer to the USGBC LEED credit guides for detailed requirements.

- EQc9 for enhancing acoustic performance
- MRc3 BPDO for sourcing of raw materials for recycled contribution
- EQc6 interior lighting for surface reflectance (lighter color options).

NOISE REDUCTION

Noise Reduction Coefficient (NRC): 0.75

Reference test report

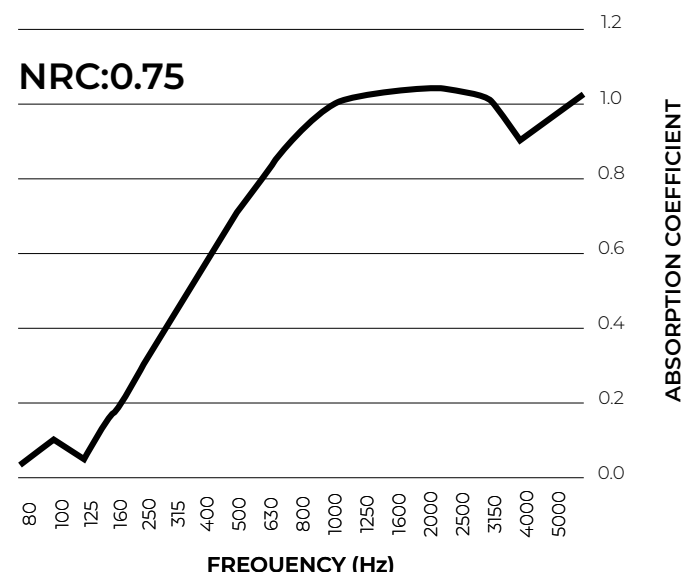
"EzoBord 3/8" (9mm) w/D50 mount"

Refer to ASTM C423 test chart for specific absorption rates/frequency.

SOUND ABSORPTION COEFFICIENTS

ASTM C423-17

NRC	SAA	125	250	500	1000	2000	4000
0.75	0.76	0.08	0.33	0.71	1.00	1.03	0.93



ENVIRONMENT

Our Commitment to the Environment

There are approximately 50 billion water bottles consumed around the world each year, and only about half of those get recycled. The rest end up in landfills, littered through our neighborhoods, or floating in our oceans.

Bottled water consumption has more than doubled since 2000; in 2015 there was the equivalent of more than 5 bottles of water consumed for every person in the USA every single week. This, of course, means that the amount of oil required to produce the energy used for the water bottling process continues to grow.

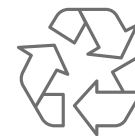
In 2007, the last year global statistics of oil consumption were available, between 32 million and 54 million barrels of oil were used to produce the bottled water that was consumed in the USA alone. This energy is used to make the bottles from PET pellets (1 million tons in the USA), treat water, bottle the water, label the bottles, and transport the bottled water. Most of the energy consumption occurs in the creation of the bottles themselves. To help in the lifecycle of this plastic product, we have chosen to manufacture our material so that it recycles these PET bottles. We are doing our part to reduce the waste. This acoustical and tackable material is made from PET bottles in a zero-waste process with postindustrial recycling. An environmentally friendly, sustainable, and waste reduced alternative to traditional acoustical/tackable material that looks great in any office, education, or open space installation.

EzoBord is



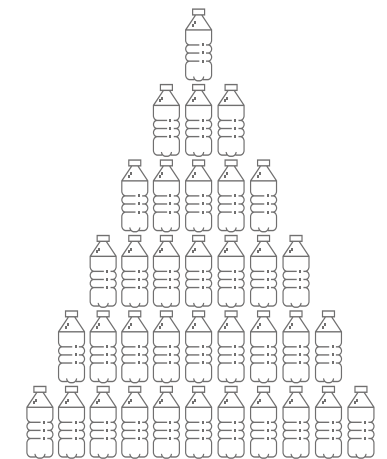
- low VOC
- formaldehyde free

DID YOU KNOW...



For every pound of recycled PET bottles (approximately 23) energy use is reduced by 84% and greenhouse gas emissions are reduced by 71%.

PET BOTTLES



± 166 pet bottles are used to make one 3/8" 9mm thick EzoBord sheet.

± 318 pet bottles are used to make one 1/2" 12mm thick EzoBord sheet.



DESIGN
DRIVEN
ACOUSTICS

CANADA

Ayrsonics Inc - Ontario

825 Trillium Drive
Kitchener, Ontario N2R 1J9
844-441-1122
sales@ayrsonics.com

Ayrsonics Inc - Alberta

292236 Nose Creek Boulevard
Building 1B, Unit #19
Rocky View County, AB T4A 3N7
844-441-1122
sales@ayrsonics.com

EzoBord Corporate Office

6845 Rexwood Road, Unit 7
Mississauga, ON L4V 1S5
416-665-3571
info@ezobord.com

UNITED STATES

Ayrsonics Midwest LLC

820 Tollgate Road
Elgin, IL 60123
800-517-0686
sales.amw@ayrsonicsusa.com

Ayrsonics Southwest LLC

8934 Eton Ave
Canoga Park, CA 91304
213-833-9700
sales.asw@ayrsonicsusa.com

Ayrsonics Southeast LLC

15 Enterprise Way
Dahlonega, GA 30533
706-539-4711
sales.ase@ayrsonicsusa.com

UNITED KINGDOM

EzoBord UK Limited

Unit 20, Westwood Business Park
Margate, Kent. CT9 4JJ
+44 1843-264027
sales@ezobord.co.uk

IRELAND

EzoBord Ireland Limited

Inniscarra, Main Street,
Rathcoole, Co. Dublin,
D24 EO29, Ireland
+353 1485-4774
sales@ezobord.ie

CENTRAL & LATIN AMERICA

EzoBord Costa Rica SRL

100 Sur 25 Oeste Recope
Bodega #16 Ochomogo, Cartago
+506 8842-4613
info-ebcr@ezobord.com

EzoBord - LATAM

Buenos Aires, Argentina
+54 9 11 5657-1793
info-latam@ezobord.com

FOLLOW US    