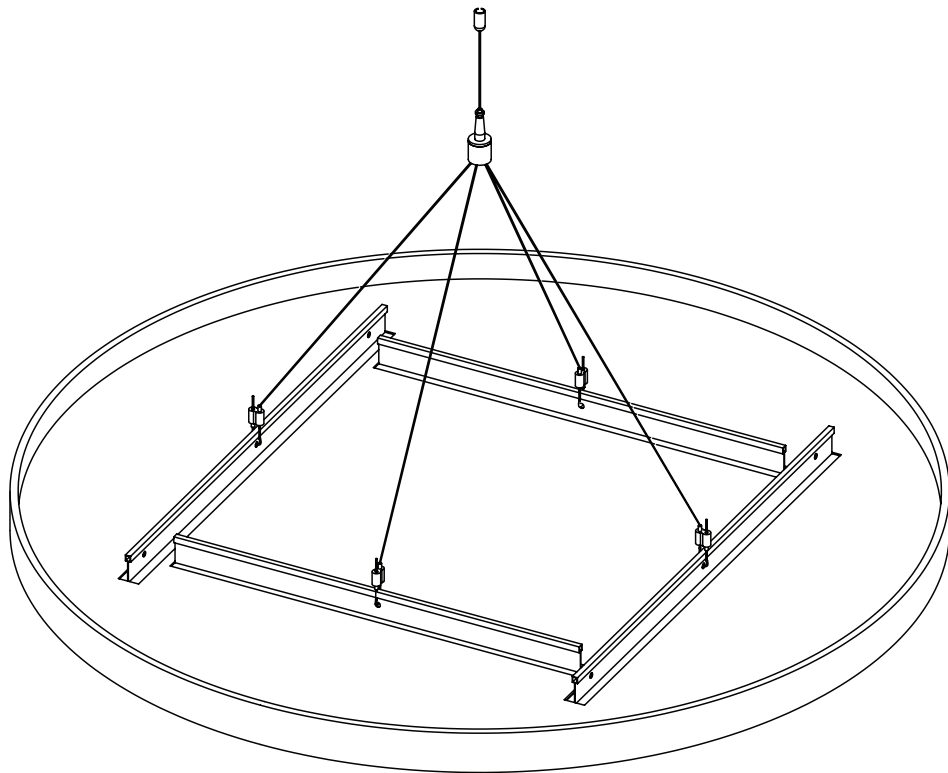
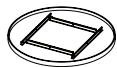


ASSEMBLY INSTRUCTIONS

# CIRCLE GEO CLOUD



## INSTALLATION HARDWARE



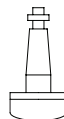
**GEO CLOUD**



**CABLE GRIPPER**



**BRASS LOCATOR**



**FOUR WAY COUPLER**



**UPPER SUSPENSION  
HARDWARE**

\*Images reflect typical hardware options. Please refer to packing list for items & quantities specific to your order

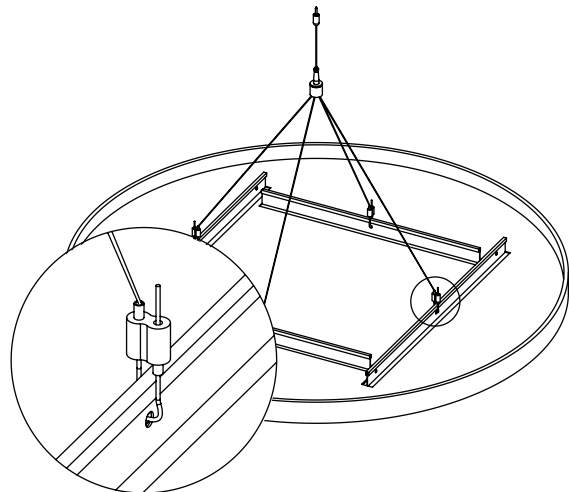
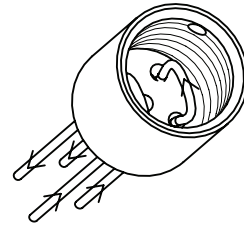
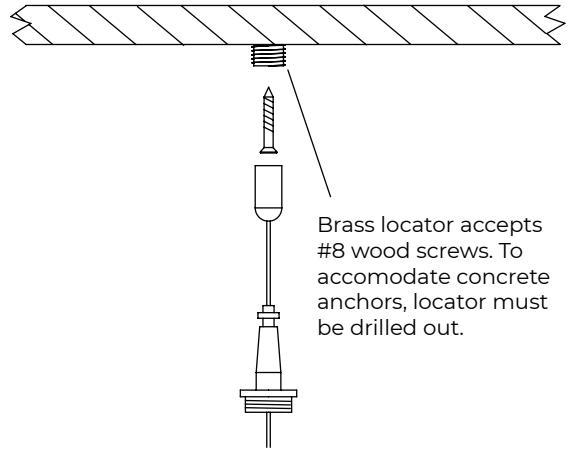
**Thank you for your order!**

For questions or concerns regarding your order or installation, please contact customer service at 1-844-441-1122 or via email at [sales@ayrsonics.com](mailto:sales@ayrsonics.com) (Canada) or [info@usa.ayrsonics.com](mailto:info@usa.ayrsonics.com) (USA).

ASSEMBLY INSTRUCTIONS

**CIRCLE GEO CLOUD**

- 1** Locate pick points and mount brass locator securely onto ceiling with substrate appropriate fasteners (not included)
- 2** Thread top cap onto brass locator and tighten by hand only
- 3** Unscrew top and bottom of four way coupler
- 4** Thread cable from upper suspension housing through upper portion of four way coupler (Depress top nozzle to allow cable insertion, release to lock)
- 5** Thread two lengths of cable evenly through bottom half of coupler (Right)
- 6** Thread one end of cable through one side of cable gripper then through the appropriate hole of T Bar on cloud and return through opposite side of cable gripper (Depress top/bottom nozzles to allow cable insertion; release to lock) Repeat for all four lengths of cable
- 7** Tighten cables evenly until cloud is at desired height and level and trim excess cable
- 8** Lock upper and lower sections of four-way coupler using supplied set screw



**RECOMMENDED TOOLS**

Drill - Level - Laser - Tape Measure - Allen Key

**Thank you for your order!**

For questions or concerns regarding your order or installation, please contact customer service at 1-844-441-1122 or via email at [sales@ayrsonics.com](mailto:sales@ayrsonics.com) (Canada) or [info@usa.ayrsonics.com](mailto:info@usa.ayrsonics.com) (USA).