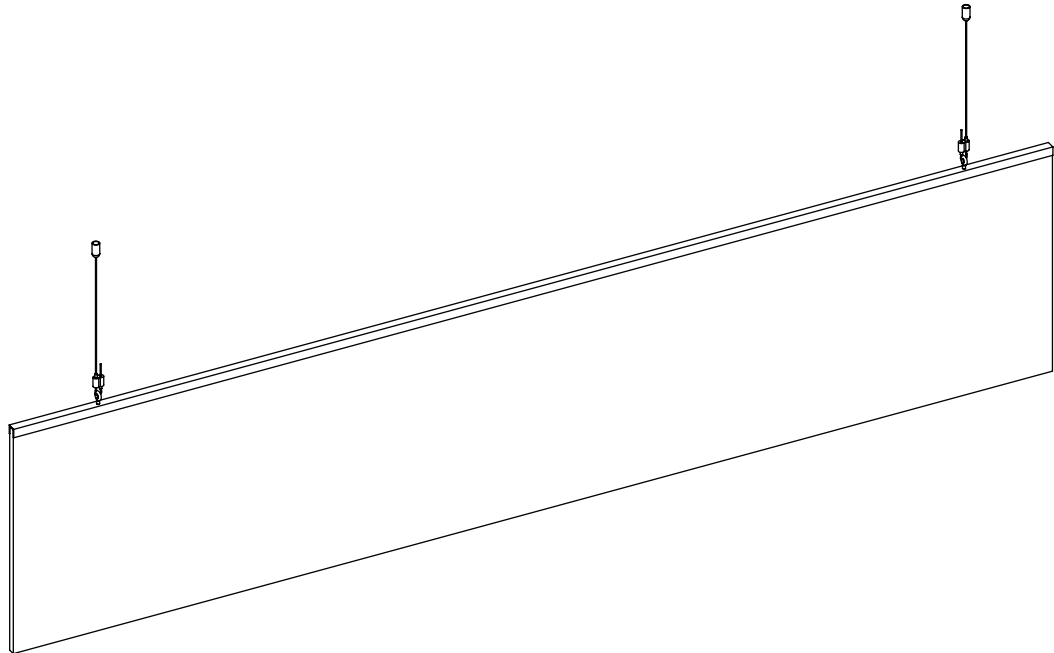


ASSEMBLY INSTRUCTIONS

# CURV CEILING BAFFLE



## INSTALLATION HARDWARE



**BAFFLE**



**CABLE GRIPPER**



**BRASS LOCATOR**



**EYE HOOK**



**TOP CAP**  
( 4M CABLE INCLUDED)

\*Images reflect typical hardware options. Please refer to packing list for items & quantities specific to your order

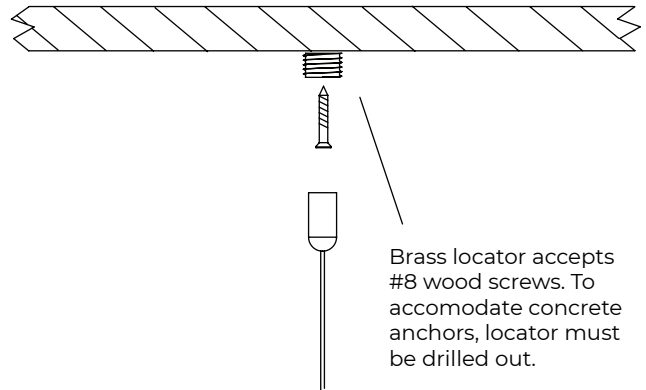
**Thank you for your order!**

For questions or concerns regarding your order or installation, please contact customer service at 1-844-441-1122 or via email at [sales@ayrsonics.com](mailto:sales@ayrsonics.com) (Canada) or [info@usa.ayrsonics.com](mailto:info@usa.ayrsonics.com) (USA).

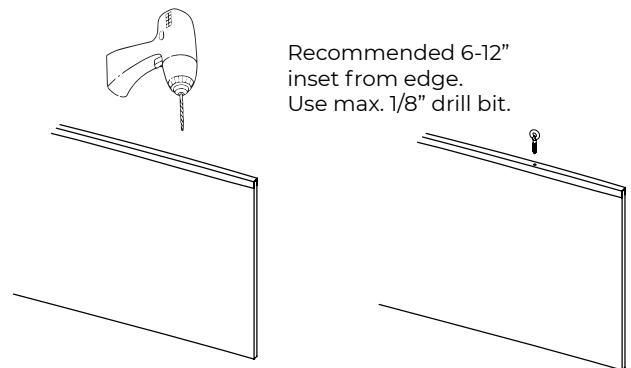
ASSEMBLY INSTRUCTIONS

# CURV CEILING BAFFLE

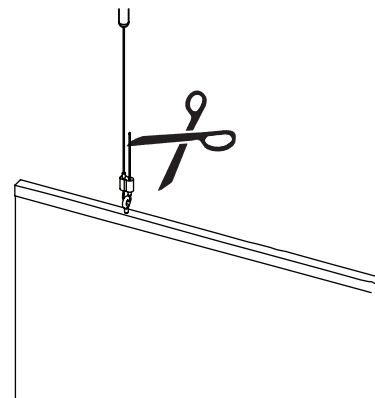
- 1** Locate available suspension points on ceiling in relation to baffle suspension locations
- 2** Mount brass locators securely onto ceiling with substrate appropriate fasteners (not included)
- 3** Thread top cap onto brass locator by hand only



- 4** Determine suspension points on baffle in relation to determined ceiling locations
- 5** Drill pilot holes for the eye hooks into the C-channel
- 6** Thread the eyehook into marked locations in C-channel



- 7** Thread suspended cable through one side of cable gripper, though affixed eyehook, and back through opposite side of cable gripper (Depress top/ bottom nozzles to allow cable insertion; release to lock)
- 8** Level baffle using cable grippers and trim excess cable



**RECOMMENDED TOOLS**

Drill - Level - Laser - Tape Measure - Allen Key

**Thank you for your order!**

For questions or concerns regarding your order or installation, please contact customer service at 1-844-441-1122 or via email at [sales@ayrsonics.com](mailto:sales@ayrsonics.com) (Canada) or [info@usa.ayrsonics.com](mailto:info@usa.ayrsonics.com) (USA).