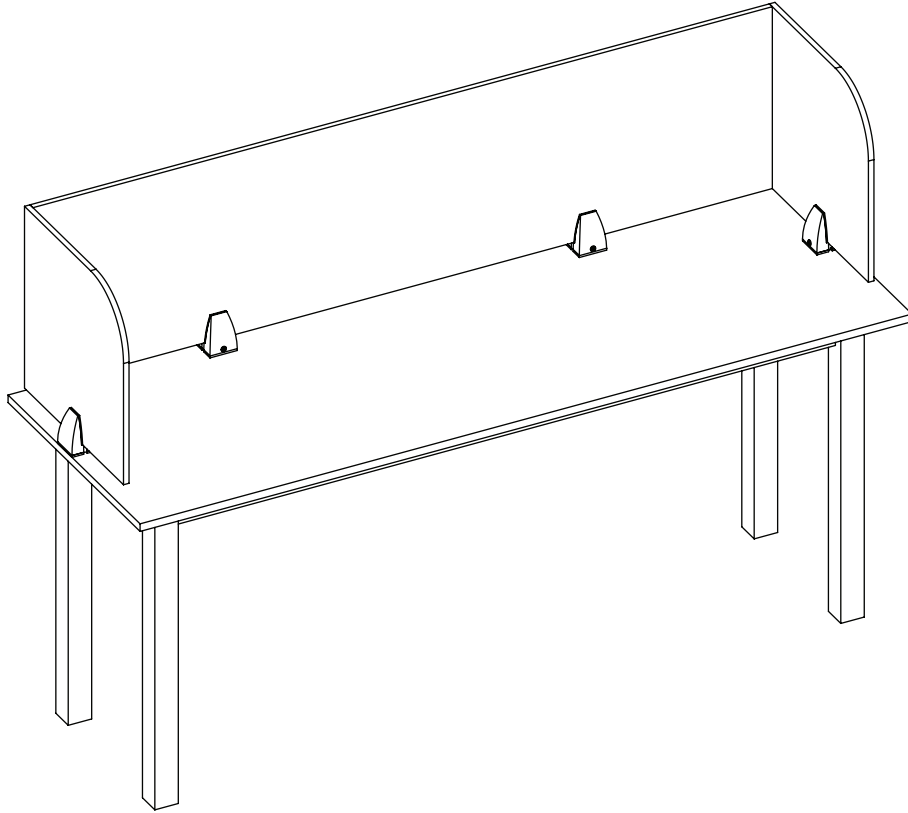


ASSEMBLY INSTRUCTIONS

STUDY CARREL/DESK SCREEN



INSTALLATION HARDWARE



SURFACE MOUNT
SCREEN BRACKET (PJ-3)



SCREEN BRACKET
GASKET



SURFACE MOUNT
SCREEN BRACKET (PJ-9)



SCREEN BRACKET
MACHINE SCREWS



UNDER MOUNT
SCREEN BRACKET (PJ-4)

*Images reflect typical hardware options. Please refer to packing list for items & quantities specific to your order

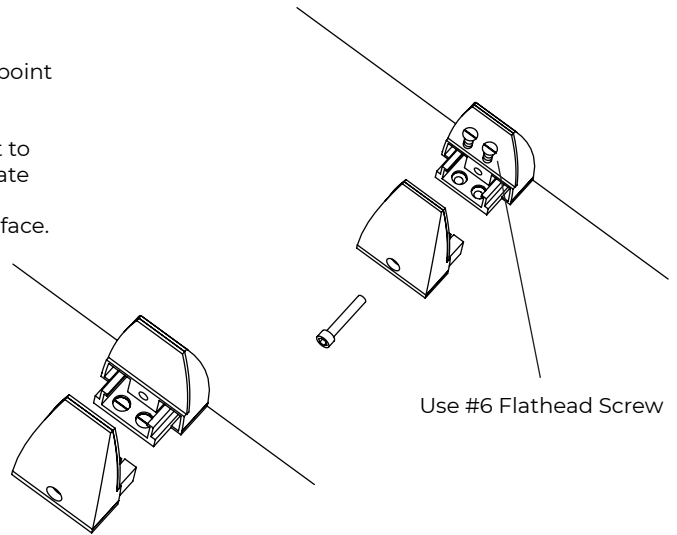
Thank you for your order!

For questions or concerns regarding your order or installation, please contact customer service at 1-844-441-1122 or via email at sales@ayrsonics.com (Canada) or info@usa.ayrsonics.com (USA).

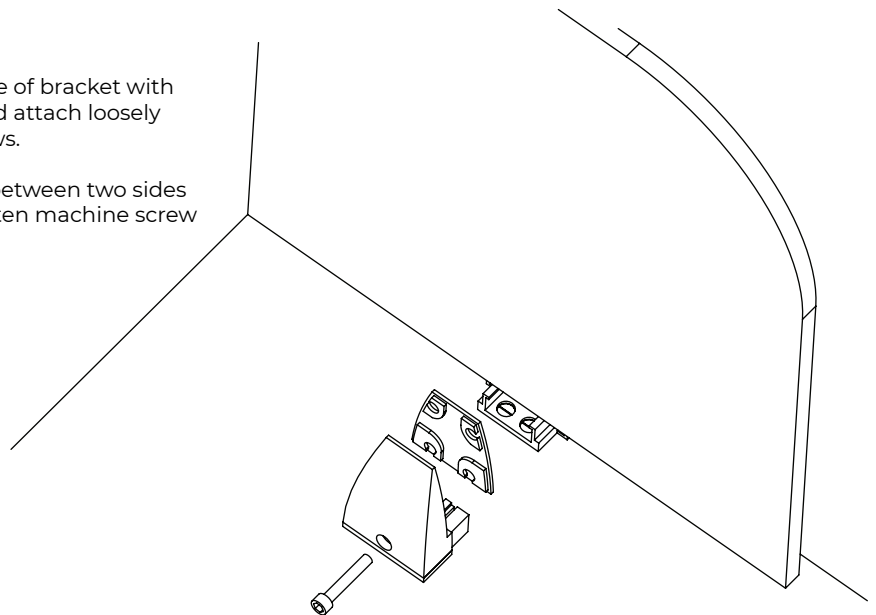
ASSEMBLY INSTRUCTIONS

STUDY CARREL/DESK SCREEN

- 1 Measure out mounting locations (midpoint on sides; inset 12" from edge)
- 2 Separate 2 sides of bracket and mount to worksurface using substrate appropriate hardware (not included) Under mount screen bracket mounts below worksurface.



- 3 Replace second side of bracket with gaskets in place and attach loosely with machine screws.
- 4 Place desk screen between two sides of bracket and tighten machine screw into bracket.



RECOMMENDED TOOLS

Drill - Tape Measure - Allen Key

Thank you for your order!

For questions or concerns regarding your order or installation, please contact customer service at 1-844-441-1122 or via email at sales@ayrsonics.com (Canada) or info@usa.ayrsonics.com (USA).