

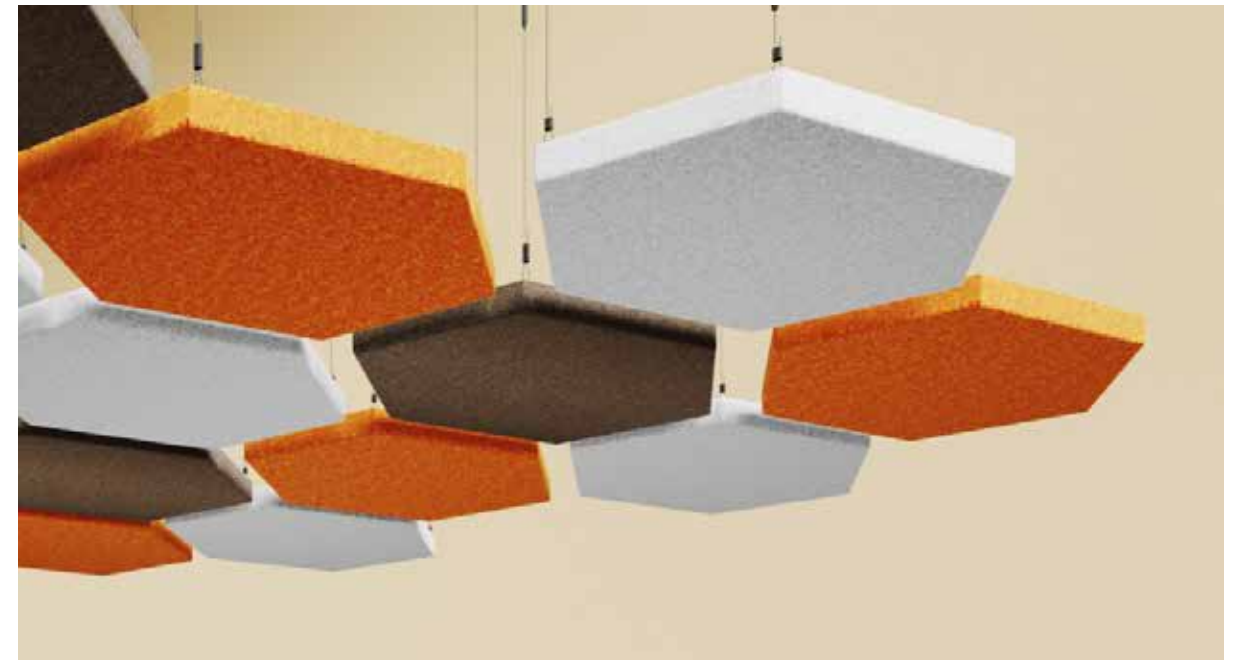
GEO CLOUD



EZO
B O R D



MEET GEO CLOUD



EzoBord Geo Clouds provide an elegant addition to any open area, and can be customized through the use of different geometric shapes and a wide array of standard colors.

A new generation surface material that both absorbs noise and is fully customizable.

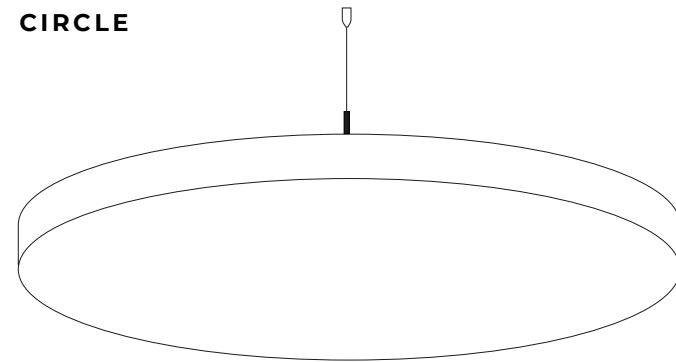
Stylish EzoBord Geo Clouds are a series of sound absorbing suspended panels that redefine open interior spaces.

Geo Clouds are available in a wide variety of colors, profiles and shapes with custom shapes and prints also available to fully customize to your installation. Geo Clouds are adjustable to various heights and angles and can be installed from deck, ceilings, drywall, standard T bar suspension systems or mounted to walls.

Made with recycled plastic water bottles.

GEO CLOUD

CIRCLE



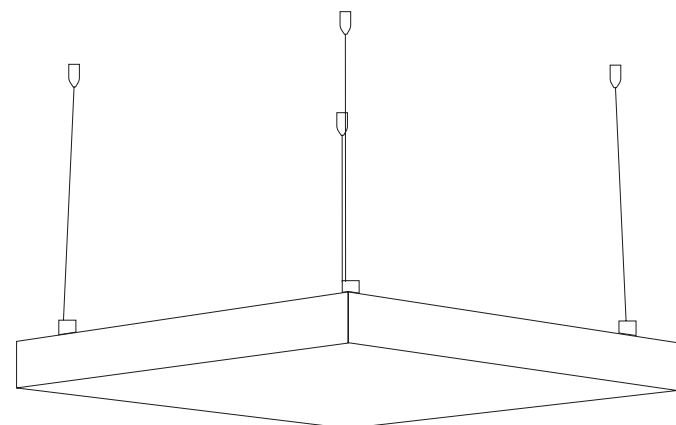
LENGTH	WIDTH	HEIGHT
30" (762mm)	30" (762mm)	1" (25mm)
41" (1041mm)	41" (1041mm)	1" (25mm)

SQUARE



LENGTH	WIDTH	HEIGHT
31" (787mm)	31" (787mm)	2" (51mm)
41" (1041mm)	41" (1041mm)	2" (51mm)

DIAMOND

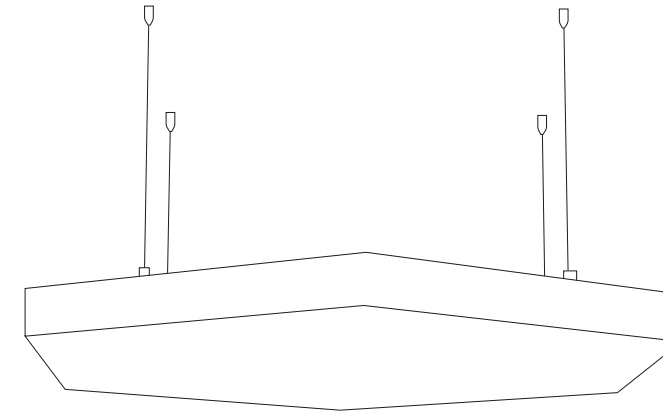


LENGTH	WIDTH	HEIGHT
13½" (343mm)	31" (787mm)	2" (51mm)
20½" (521mm)	41" (1041mm)	2" (51mm)

Please note that all dimensions are nominal, supplier reserves the right to adjust sizing without prior notification.

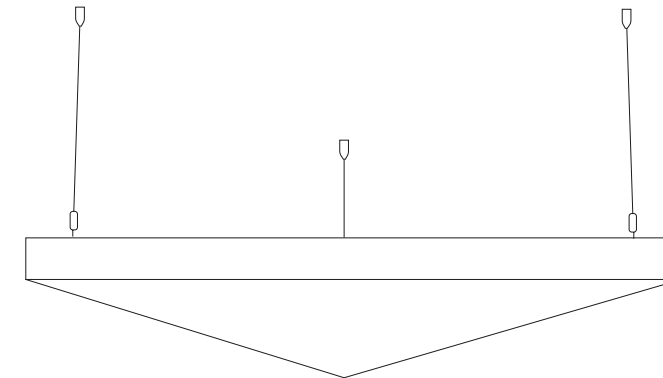
GEO CLOUD

HEXAGON



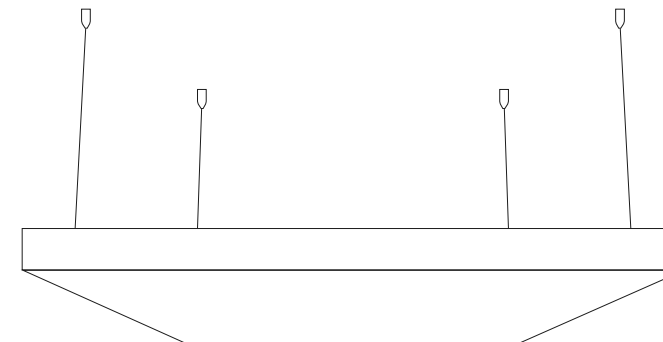
LENGTH	WIDTH	HEIGHT
27" (659mm)	31" (787mm)	2" (51mm)
36" (914mm)	41" (1041mm)	2" (51mm)

TRIANGLE



LENGTH	WIDTH	HEIGHT
26" (660mm)	31" (787mm)	2" (51mm)
35½" (902mm)	41" (1041mm)	2" (51mm)

TRAPEZOID

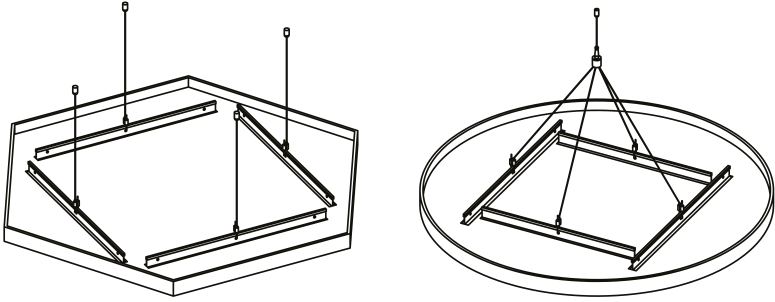


LENGTH	WIDTH	HEIGHT
12" (305mm)	31" (787mm)	2" (51mm)
15½" (394mm)	41" (1041mm)	2" (51mm)

Please note that all dimensions are nominal, supplier reserves the right to adjust sizing without prior notification.

SPECIFICATIONS

GEO CLOUD



SIZES

6 standard shapes available in 2 sizes.

31" (787mm) × 31" (787mm) maximum
 41" (1041mm) × 41" (1041mm) maximum

HEIGHT 2" (51mm)

THICKNESS 3/8" (9mm) | ±0.5mm ;
 1/2" (12mm) | ±0.5mm

Custom graphics and textures can be printed on clouds

COMPOSITION

100% PET (min. %50 recycled content)

PRODUCT VARIANCES

Variation in fiber mix and colour may occur. All products will be supplied within commercial tolerances.

CLEANING

Remove dust and dirt with a stiff plastic bristle brush. Distilled water can be used to remove stains. Always use a soft, clean cloth and blot dry. Vacuuming works great as well.

FIRE TESTING

NORTH AMERICA:

- ASTM E84 Class A
- CAN ULC S102-2

EUROPE AND UK:

- EN 13501-1: 2007

* Upon request, 1/2"(12mm) sheet material is treated with USA origin post-production flame retardant to Class A surface burning characteristics. Post sheet production FR treatment does not contain any Red List Restricted Chemicals and complies with California Proposition 65. Contact customer service for technical information, test data and safety data sheets for flame retardant

ACOUSTICS

Refer to ASTM C423 test chart for specific absorption rates/frequency.

- **3/8"** (9mm): **0.30 - 0.75 NRC**
- **1/2"** (12mm): **0.40 - 0.80 NRC**

(subject to mounting conditions)

ENVIRONMENT

Made of polyester fiber, min. 50% of which comes from recycled water bottles which contributes to LEED MR Credit and BREEAM Health and Wellbeing, Materials points due to recycled content, acoustic performance, and low emitting materials. No VOC's: CDPH v1.2 and REACH SVHC Compliant.

USGBC LEED V4 CREDITS

While individual products do not 'earn' LEED credits, EzoBord can contribute to the following LEED v4 Credits. Please refer to the USGBC LEED credit guides for detailed requirements.

- EQc9 for enhancing acoustic performance
- MRc3 BPDO for sourcing of raw materials for recycled contribution
- EQc6 interior lighting for surface reflectance (lighter color options).



NOISE REDUCTION

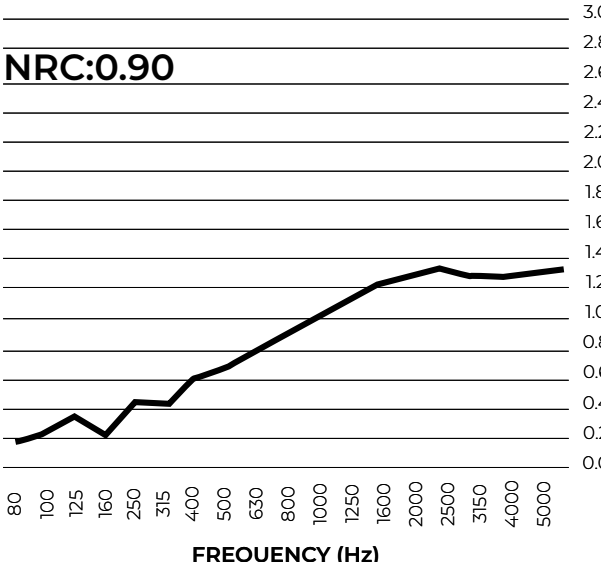
3/8" 9mm

Constructed from 3/8" (9mm) EzoBord Back Construction Openback

SOUND ABSORPTION COEFFICIENTS

ASTM C423-17

NRC	SAA	125	250	500	1000	2000	4000
0.90	0.91	0.25	0.48	0.77	1.10	1.28	1.29



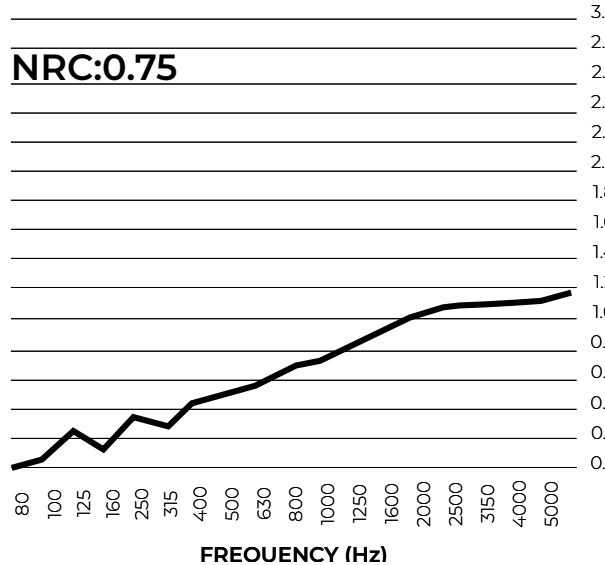
1/2" 12mm

Constructed from 1/2" (12mm) EzoBord Back Construction Openback

SOUND ABSORPTION COEFFICIENTS

ASTM C423-17

NRC	SAA	125	250	500	1000	2000	4000
0.75	0.74	0.32	0.36	0.61	0.86	1.07	1.12



COLOR & FINISHES

EZOBORD BASE MATERIAL

OPTIONAL SURFACE EZOLAYERS

OPTIONAL SURFACE EZOPRINT



EZOBORD BASE COLORS

EZOBORD COLORS 3/8" (9mm)

SUNNY DAYS SD18	TIGER ORANGE TO24	RUBY RED RR28	DEEP PURPLE DP30	MIDNIGHT NAVY MN12
EVENING BLUE EB50	AEGEAN BLUE AB32	GREEN APPLE GA41	VANILLA CREAM VC 97	SUNSET PINK SP99
LIGHT BEIGE LB01	DESERT SAND DS10	CLASSIC WHITE CW04	POLAR ICE PI14	SILVER GRAY SG04
DARK GRAY DG34	EBONY SLATE ES07	CHARCOAL GRAY CG06	PURE BLACK PB09	

EZOBORD COLORS 1/2" (12mm)

SUNNY DAYS SD18	BRICK RED BR43	GRAPE VINE GV36	ROYAL BLUE B08	EVENING BLUE EB50
AEGEAN BLUE AB32	MOSS GREEN MG12	TREE BARK TB 35	VANILLA CREAM VC 97	SUNSET PINK SP99
DESERT SAND DS10	ELEPHANT GRAY EG11	CLASSIC WHITE CW04	POLAR ICE PI14	SILVER GRAY SG04
BOLD GRAY BG07	CHARCOAL GRAY CG06	PURE BLACK PB09		

OPTIONAL SURFACE FINISHES

EZOLAYERS

EZOFELT GRADE 2

SOLAR 2-522	MAGMA 2-528	KISS 2-532	TANGERINE 2-426	ENOKI 2-513
EDELWEISS 2-565	SILK 2-530	DAWN 2-552	TECHNICA 2-584	INK 2-555
ARCTIC 2-551	PORCELAIN 2-400	SAGE 2-567	FOREST 2-448	SLATE 2-494
PURE BLACK 2-499				

EZOFELT GRADE 2 MELANGE

HONEY 2-424ML	AUTUMN 2-426ML	MERLOT 2-438ML	NIGHTSHADE 2-583ML	OCEAN 2-560ML
SPRUCE 2-562ML	PISTACHIO 2-432ML	BOG 2-568ML	GREIGE 2-409ML	FLINT 2-408ML
SILVER 2-400ML	RHINO 2-494ML	CHARCOAL 2-496ML		

EZOPRINT

STANDARD WOODGRAIN

DARK OAK W-DO-07	GREY OAK W-GO-08	WENGE W-WE-02	APPLE W-AP-05	CHERRY MATE W-CM-03
WALNUT W-WA-01	ASH W-AS-06	YELLOW OAK W-YO-09	MARMAR MAPLE W-MM-04	BIRCH SAND W-BS-10

CUSTOM EZOPRINT



* EZOPRINT finishes can be applied over EZOBORD Light Beige, Desert Sand, Classic White, Polar Ice base colors.

ENVIRONMENT

Our Commitment to the Environment

There are approximately 50 billion water bottles consumed around the world each year, and only about half of those get recycled. The rest end up in landfills, littered through our neighborhoods, or floating in our oceans.

Bottled water consumption has more than doubled since 2000; in 2015 there was the equivalent of more than 5 bottles of water consumed for every person in the USA every single week. This, of course, means that the amount of oil required to produce the energy used for the water bottling process continues to grow.

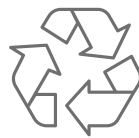
In 2007, the last year global statistics of oil consumption were available, between 32 million and 54 million barrels of oil were used to produce the bottled water that was consumed in the USA alone. This energy is used to make the bottles from PET pellets (1 million tons in the USA), treat water, bottle the water, label the bottles, and transport the bottled water. Most of the energy consumption occurs in the creation of the bottles themselves. To help in the lifecycle of this plastic product, we have chosen to manufacture our material so that it recycles these PET bottles. We are doing our part to reduce the waste. This acoustical and tackable material is made from PET bottles in a zero-waste process with postindustrial recycling. An environmentally friendly, sustainable, and waste reduced alternative to traditional acoustical/tackable material that looks great in any office, education, or open space installation.

EzoBord is



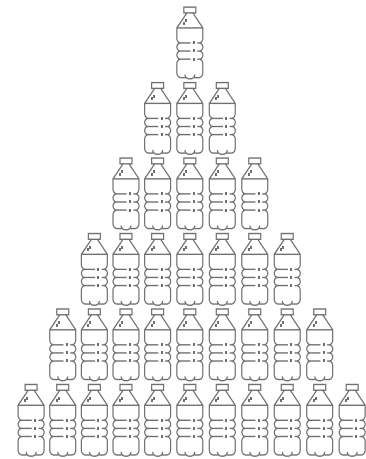
- low VOC
- formaldehyde free

DID YOU KNOW...



For every pound of recycled PET bottles (approximately 23) energy use is reduced by 84% and greenhouse gas emissions are reduced by 71%.

± 166 PET BOTTLES



are used to make one 9mm thick EzoBord sheet





DESIGN
DRIVEN
ACOUSTICS

CANADA

Ayrsonics Inc - Ontario

825 Trillium Drive
Kitchener, Ontario N2R 1J9
844-441-1122
sales@ayrsonics.com

Ayrsonics Inc - Alberta

292236 Nose Creek Boulevard
Building 1B, Unit #19
Rocky View County, AB T4A 3N7
844-441-1122
sales@ayrsonics.com

EzoBord Corporate Office

6845 Rexwood Road, Unit 7
Mississauga, ON L4V 1S5
416-665-3571
info@ezobord.com

UNITED STATES

Ayrsonics Midwest LLC

820 Tollgate Road
Elgin, IL 60123
800-517-0686
sales.amw@ayrsonicsusa.com

Ayrsonics Southwest LLC

8934 Eton Ave
Canoga Park, CA 91304
213-833-9700
sales.asw@ayrsonicsusa.com

Ayrsonics Southeast LLC

15 Enterprise Way
Dahlonega, GA 30533
706-539-4711
sales.ase@ayrsonicsusa.com

UNITED KINGDOM

EzoBord UK Limited

Unit 20, Westwood Business Park
Margate, Kent. CT9 4JJ
+44 1843-264027
sales@ezobord.co.uk

IRELAND

EzoBord Ireland Limited

Inniscarra, Main Street,
Rathcoole, Co. Dublin,
D24 EO29, Ireland
+353 1485-4774
sales@ezobord.ie

CENTRAL & LATIN AMERICA

EzoBord Costa Rica SRL

100 Sur 25 Oeste Recope
Bodega #16 Ochomogo, Cartago
+506 8842-4613
info-ebcr@ezobord.com

EzoBord - LATAM

Buenos Aires, Argentina
+54 9 11 5657-1793
info-latam@ezobord.com

FOLLOW US    