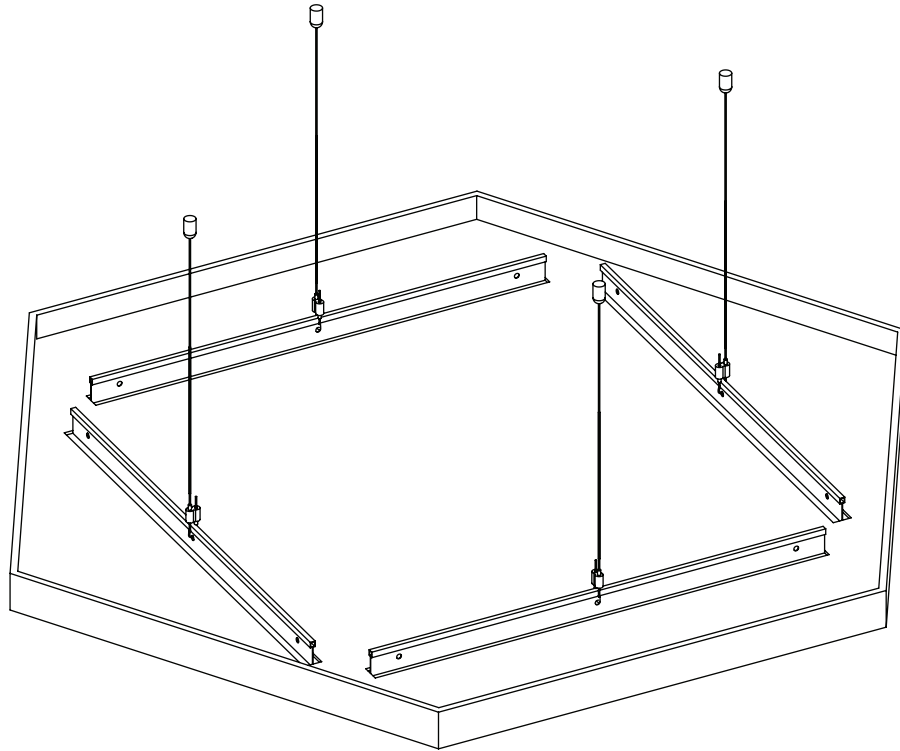


ASSEMBLY INSTRUCTIONS

**GEO CLOUD**



**INSTALLATION HARDWARE**



**GEO CLOUD**



**CABLE GRIPPER**



**BRASS LOCATOR**



**TOP CAP**  
( 4M CABLE INCLUDED)

\*Images reflect typical hardware options. Please refer to packing list for items & quantities specific to your order

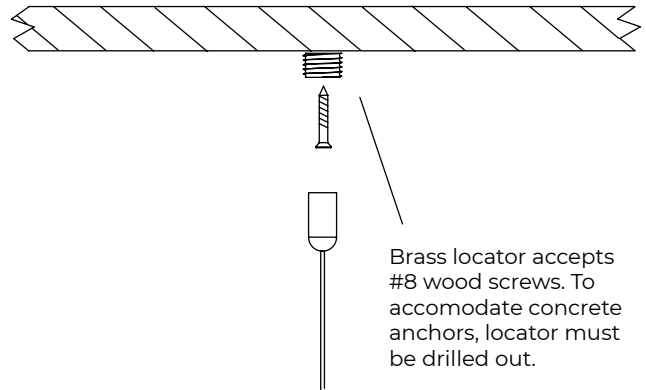
**Thank you for your order!**

For questions or concerns regarding your order or installation, please contact customer service at 1-844-441-1122 or via email at [sales@ayrsonics.com](mailto:sales@ayrsonics.com) (Canada) or [info@usa.ayrsonics.com](mailto:info@usa.ayrsonics.com) (USA).

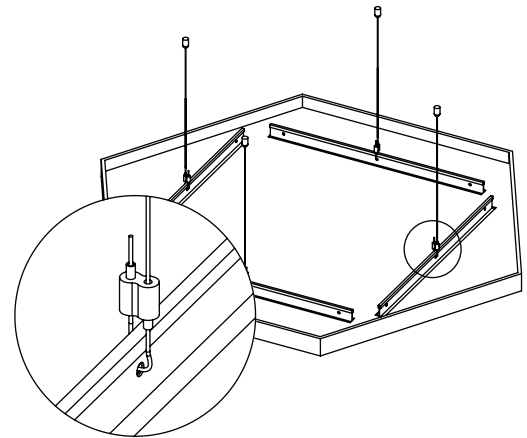
ASSEMBLY INSTRUCTIONS

**GEO CLOUD**

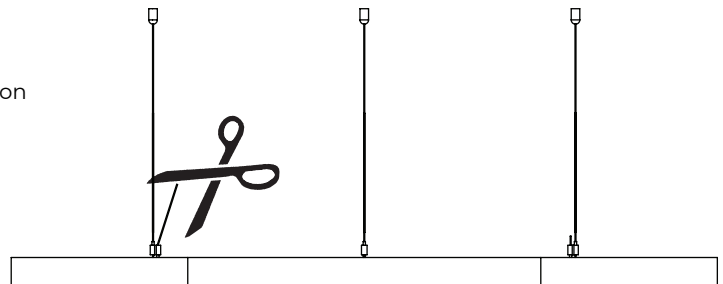
- 1** Locate pick point locations on ceiling
- 2** Mount brass locator securely onto ceiling with substrate appropriate fasteners (not included)
- 3** Thread top cap onto brass locator and tighten by hand only



- 4** With Geo Cloud at approximate suspended height secure each of the cables to cable grippers by threading cable through one side of cable gripper, then through appropriate hole of T Bar and return through opposite side of cable gripper (Depress top and bottom nozzles of cable gripper to allow insertion; release to lock)



- 5** Use level to ensure even distribution among cables
- 6** Trim excess cable



**RECOMMENDED TOOLS**

Drill - Level - Laser - Tape Measure

**Thank you for your order!**

For questions or concerns regarding your order or installation, please contact customer service at 1-844-441-1122 or via email at [sales@ayrsonics.com](mailto:sales@ayrsonics.com) (Canada) or [info@usa.ayrsonics.com](mailto:info@usa.ayrsonics.com) (USA).