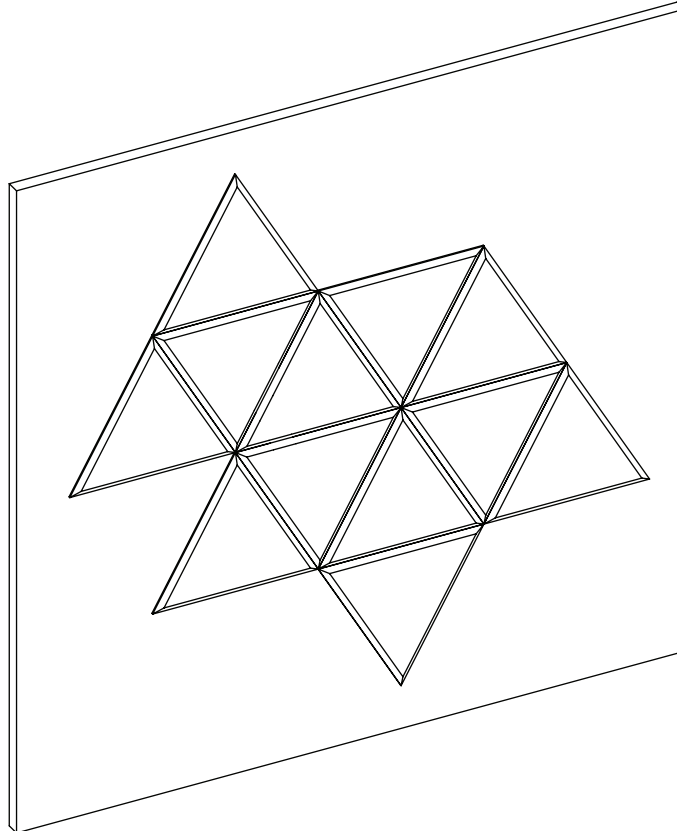
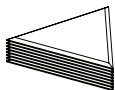


ASSEMBLY INSTRUCTIONS

GEO TILE



INSTALLATION HARDWARE



GEO TILES



EZO TAPE

*Images reflect typical hardware options. Please refer to packing list for items & quantities specific to your order

Thank you for your order!

For questions or concerns regarding your order or installation, please contact customer service at 1-844-441-1122 or via email at sales@ayrsonics.com (Canada) or info@usa.ayrsonics.com (USA).

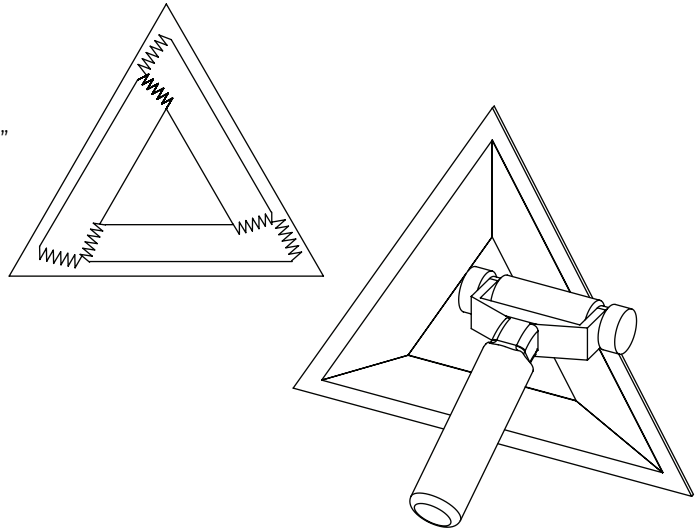
ASSEMBLY INSTRUCTIONS

GRID CANOPY/ACOUSTICAL NET

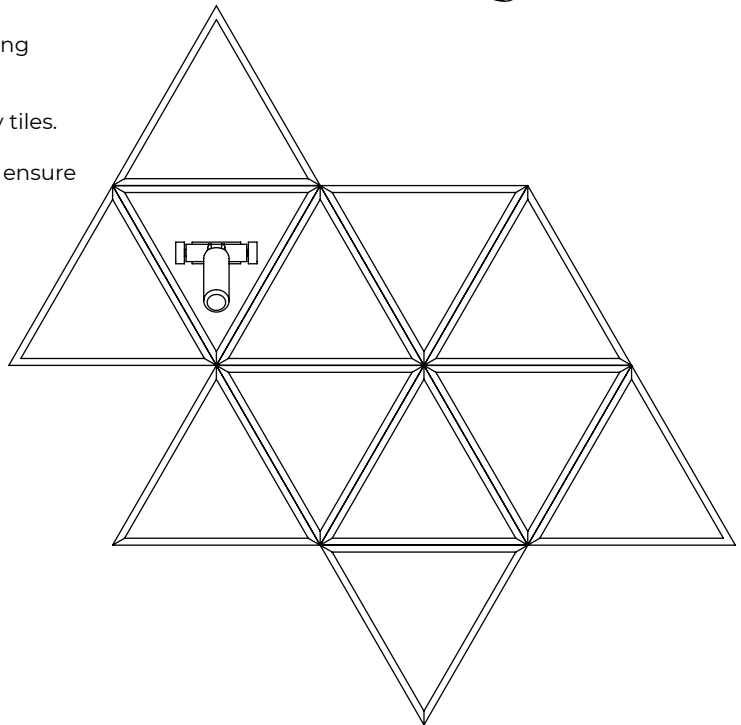
EZO CLAMP SUSPENSION

- 1 Apply EzoTape to outer edges of reverse side of tiles approximately 1/8" inset from edge *If tiles exceed 24" apply EzoTape in vertical direction every 12-16" (16" for 9mm material, 12" for 12 mm material)

- 2 Use roller to burnish tape to ensure proper adhesion to Ezo.



- 3 Map locations of tiles on wall using template if required.
- 4 Remove tape backing and apply tiles.
- 5 Firmly burnish Ezo with roller to ensure proper adhesion to wall.



RECOMMENDED TOOLS

Roller - Level - Laser - Knife

Thank you for your order!

For questions or concerns regarding your order or installation, please contact customer service at 1-844-441-1122 or via email at sales@ayrsonics.com (Canada) or info@usa.ayrsonics.com (USA).