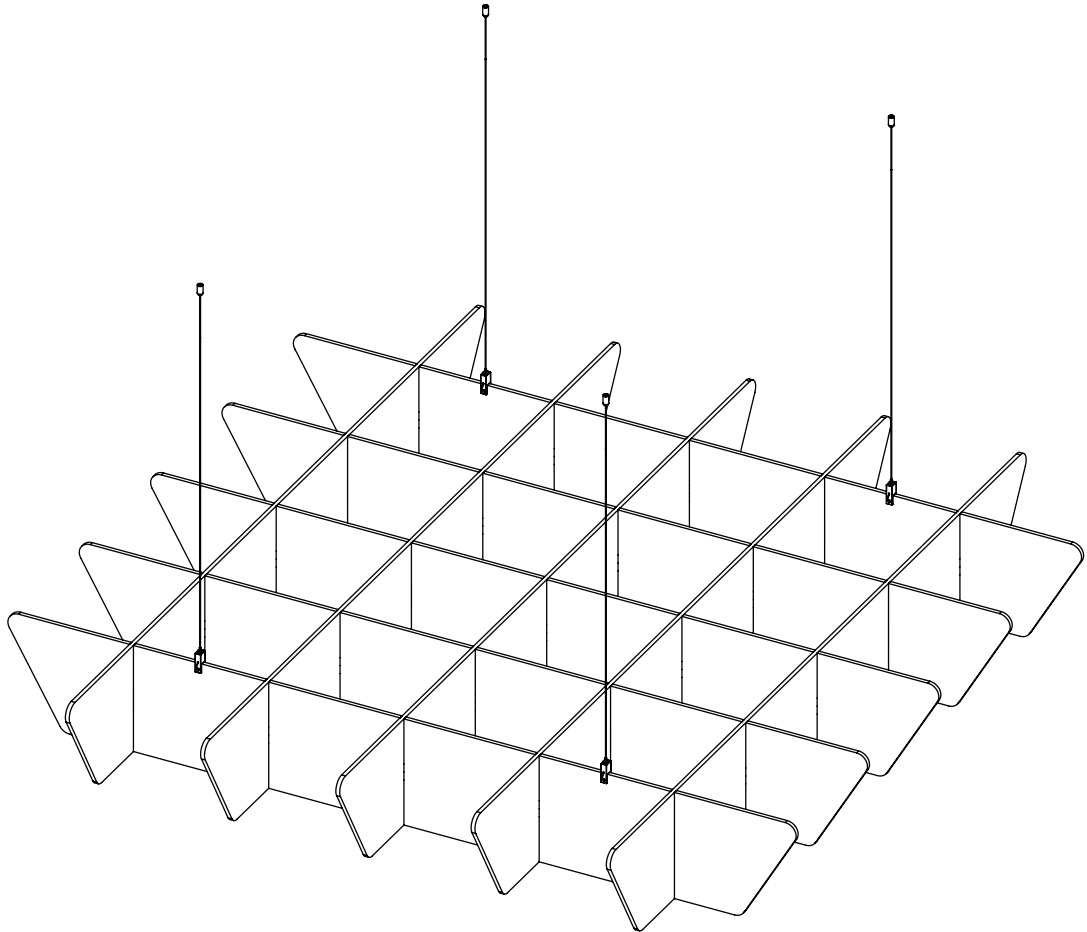
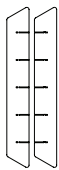


ASSEMBLY INSTRUCTIONS

# GRID CANOPY/ACOUSTICAL NET



## INSTALLATION HARDWARE



**BOTTOM/TOP FINS**



**TOP CAP**  
( 4M CABLE INCLUDED)



**BRASS LOCATOR**



**EZO CLAMP**

\*Images reflect typical hardware options. Please refer to packing list for items & quantities specific to your order

**Thank you for your order!**

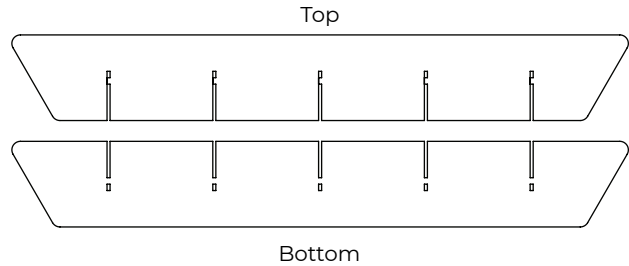
For questions or concerns regarding your order or installation, please contact customer service at 1-844-441-1122 or via email at [sales@ayrsonics.com](mailto:sales@ayrsonics.com) (Canada) or [info@usa.ayrsonics.com](mailto:info@usa.ayrsonics.com) (USA).

ASSEMBLY INSTRUCTIONS

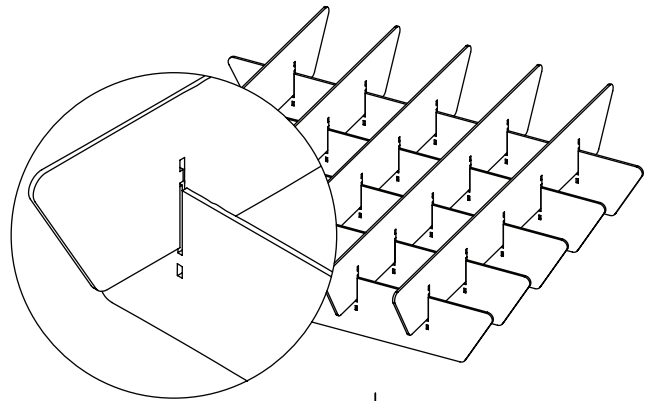
# GRID CANOPY/ACOUSTICAL NET

EZO CLAMP SUSPENSION

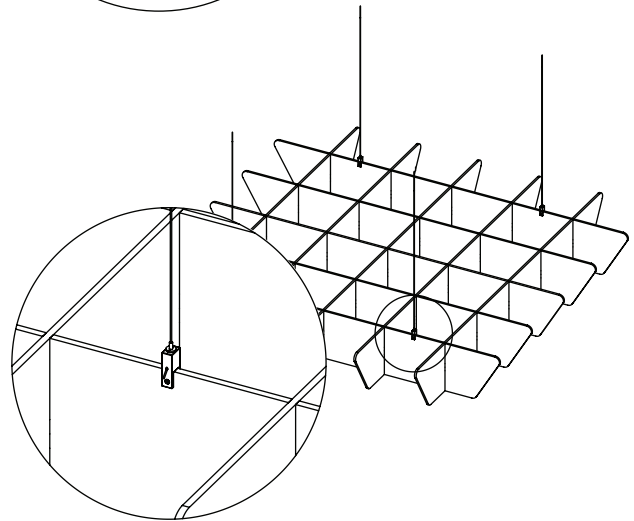
- 1 Clear appropriate sized floor space below install location  
\*For multiple modules confirm location with included plans
- 2 Unpackage and arrange fins in X and Y piles.



- 3 Begin assembling units by securing fins X and Y perpendicular to one another. **The completed unit should only be suspended from bottom fins.**



- 4 Determine suspension points on unit, ensuring these are evenly spaced noting suspension availability on ceiling above (Minimum four points with approximately 1 point per ten square feet).
- 5 Predrill holes for Ezo Clamps onto suspension points.



**RECOMMENDED TOOLS**

Drill - Level - Laser - Tape Measure - Allen Key

**Thank you for your order!**

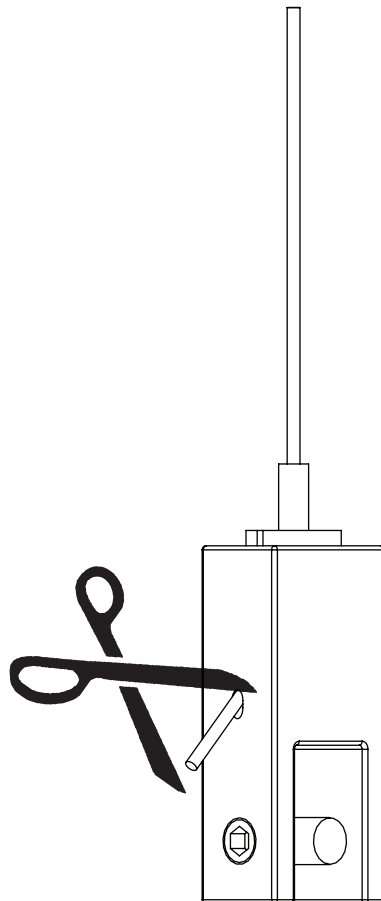
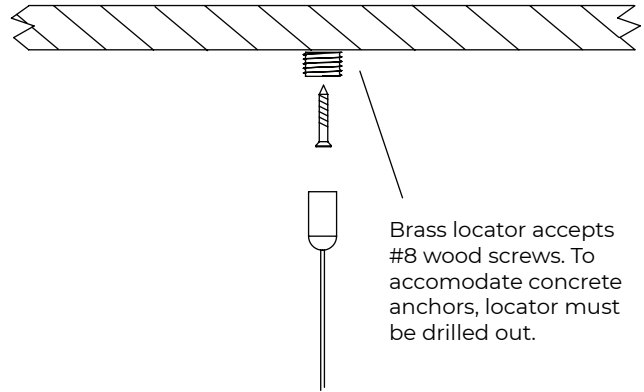
For questions or concerns regarding your order or installation, please contact customer service at 1-844-441-1122 or via email at [sales@ayrsonics.com](mailto:sales@ayrsonics.com) (Canada) or [info@usa.ayrsonics.com](mailto:info@usa.ayrsonics.com) (USA).

ASSEMBLY INSTRUCTIONS

# GRID CANOPY/ACOUSTICAL NET

## EZO CLAMP SUSPENSION

- 6** Mount brass locators securely to ceiling at locations corresponding to points on unit using substrate appropriate hardware (not supplied).
- 7** Thread top cap onto brass locator and hand tighten only.



- 8** Secure Ezo Clamps to predrilled holes
- 9** Raise unit to suspended cables and insert cables into Ezo Clamp. Depress top nozzle of Ezo Clamp to loosen, cable will lock when released
- 10** Use Ezo Clamps to level unit  
\*If overall canopy/net dimensions exceed 8' raise each module separately and secure dovetail ends once level
- 11** Trim excess cable
- 12** Manually adjust bottom edges to straighten grid

**RECOMMENDED TOOLS**

Drill - Level - Laser - Tape Measure - Allen Key

**Thank you for your order!**

For questions or concerns regarding your order or installation, please contact customer service at 1-844-441-1122 or via email at [sales@ayrsonics.com](mailto:sales@ayrsonics.com) (Canada) or [info@usa.ayrsonics.com](mailto:info@usa.ayrsonics.com) (USA).