

KAYRA

CURVED SCREEN



EZO
B O R D



MEET KAYRA



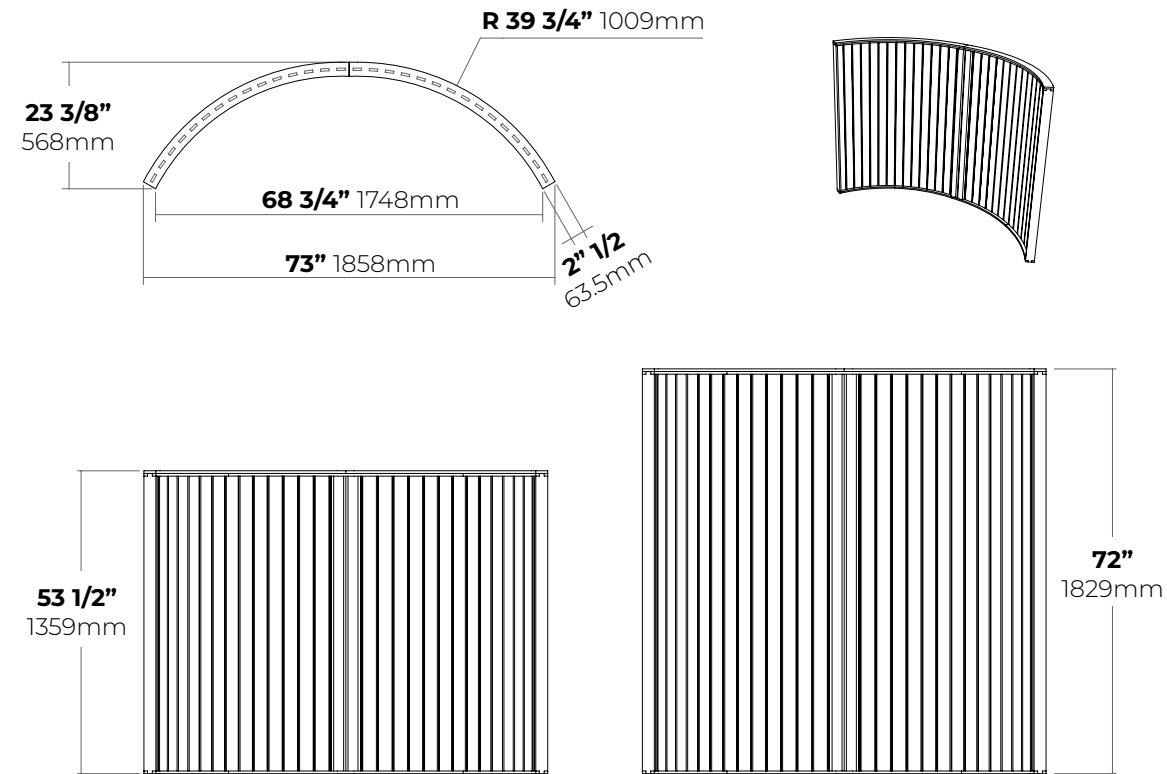
Introducing **Kayra**, our curved modular screen with acoustic properties is the perfect solution for offices, lobbies, restaurants, and more. With its unique shape and design, this screen not only serves as a functional divider but also adds a touch of elegance to any space. The curved shape allows for easy repositioning, making it simple to create different configurations and layouts as needed.

But the real standout feature of this screen is its acoustic properties. The screen is constructed with sound-absorbing materials that significantly reduce noise levels in the surrounding area, creating a more peaceful and productive environment. Whether you're looking to create a private workspace in a busy office or a quiet dining area in a bustling restaurant, this curved modular screen is the perfect solution. With its stylish design and acoustic properties, it's sure to become a staple in any space where privacy and noise reduction are key considerations.



SPECIFICATIONS

KAYRA SCREEN



MATERIAL
EZOBORD 1/2" (12mm)

COMPOSITION
100% PET (min. 50% recycled content)

ACOUSTICS
Refer to ASTM C423 test chart for specific absorption rates/frequency.

ENVIRONMENT
Made of polyester fiber, min. 50% of which comes from recycled water bottles which contributes to LEED MR Credit and BREEAM Health and Wellbeing, Materials points due to recycled content, acoustic performance, and low emitting materials. No VOC's: CDPH v1.2 and REACH SVHC Compliant.

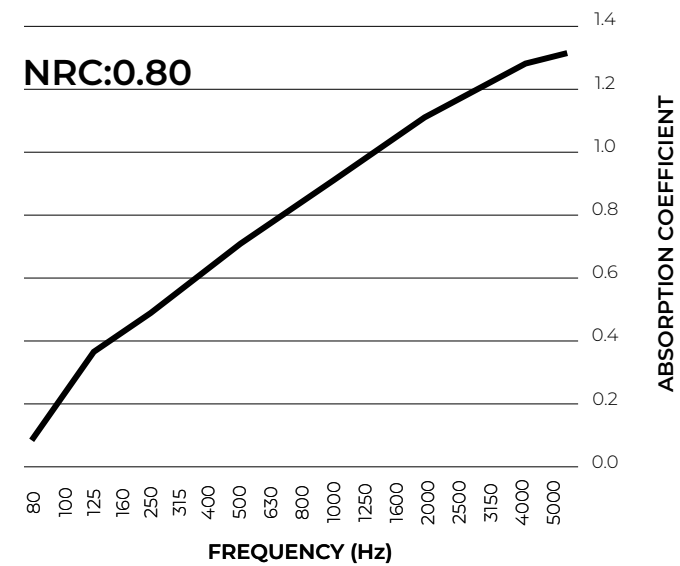
GENERAL
Tackable, impact resistant, bacteria resistant, moisture resistant, installation friendly.

PATENT PENDING

SOUND ABSORPTION COEFFICIENTS

ASTM C423-17

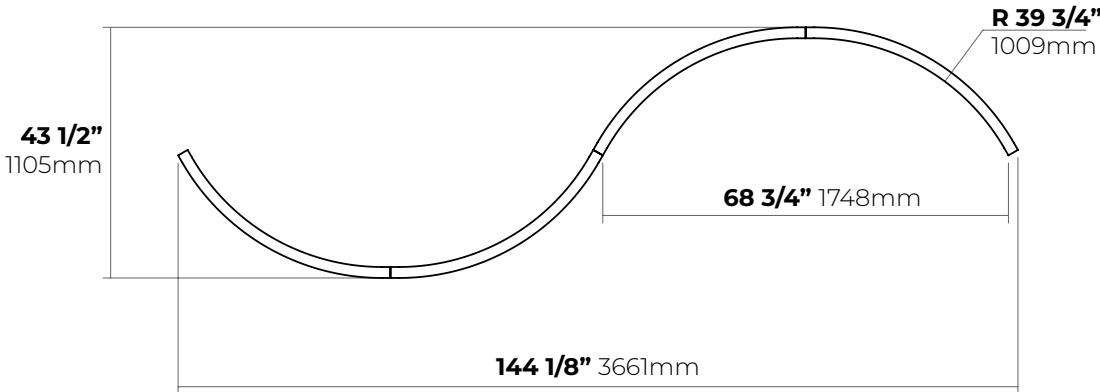
NRC	SAA	125	250	500	1000	2000	4000
0.80	0.81	0.38	0.49	0.69	0.92	1.13	1.27



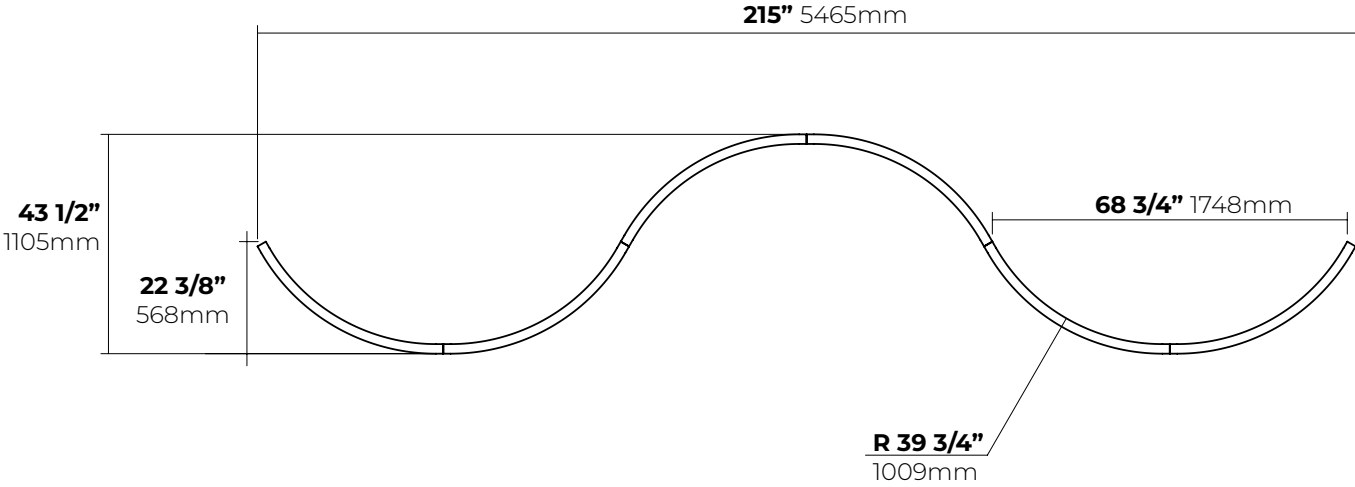
MODULAR CONFIGURATIONS

HEIGHT 54" / 72"

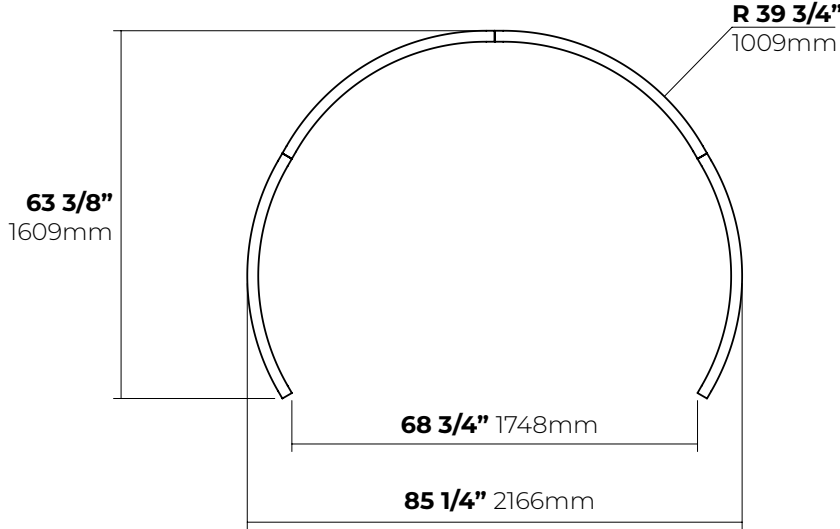
CONFIGURATION A



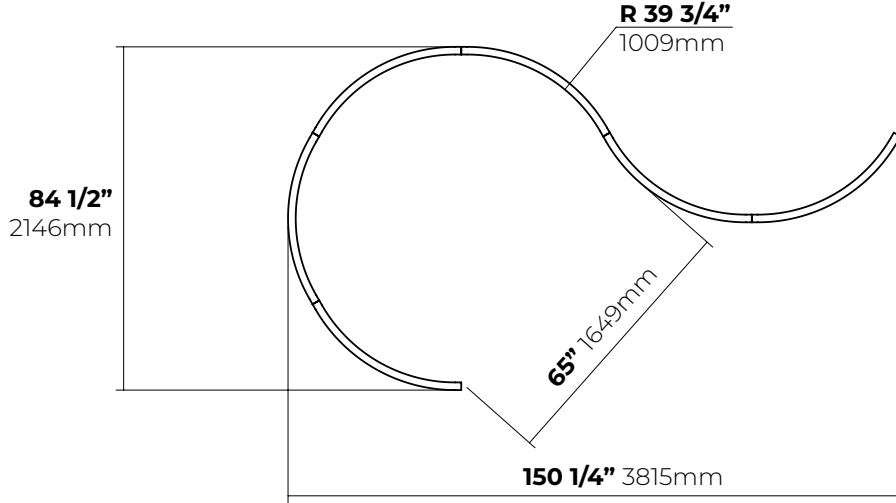
CONFIGURATION B



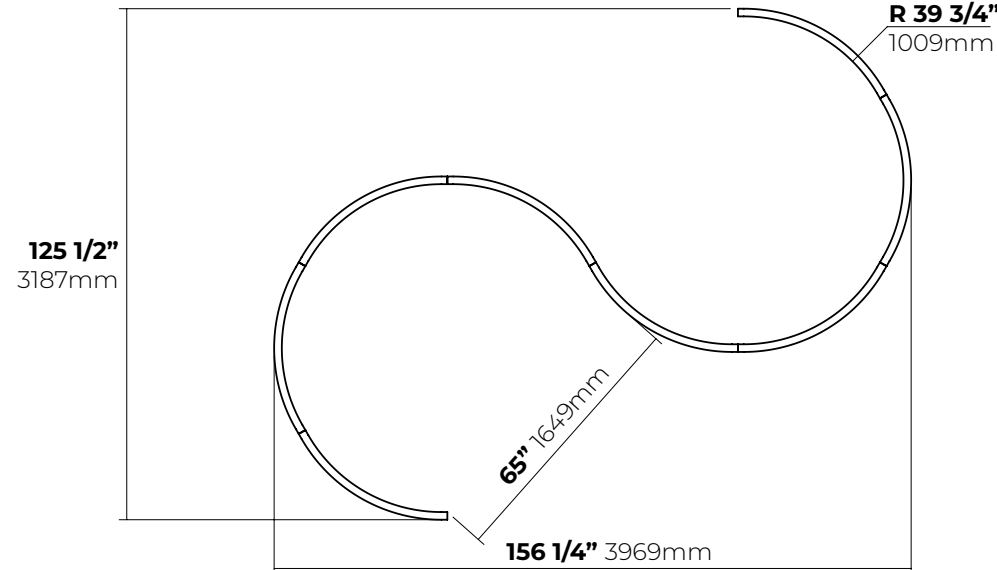
CONFIGURATION C



CONFIGURATION D



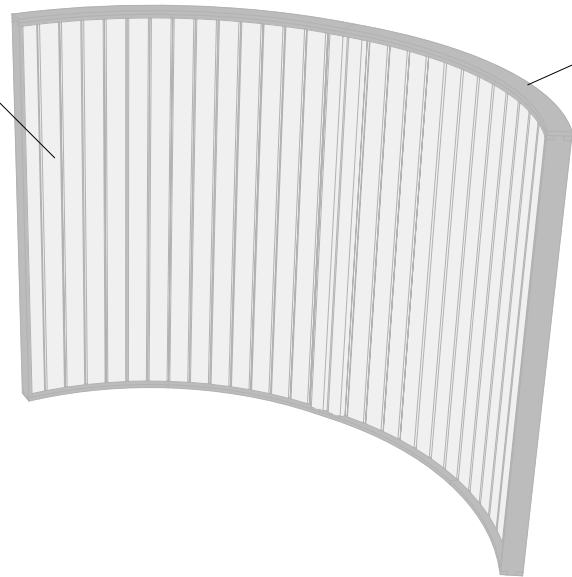
CONFIGURATION E





COLOR & FINISHES

MAIN PANEL COLOR



OPTIONAL TRIM COLOR

EZOBORD COLORS 1/2" (12mm)



OPTIONAL SURFACE FINISHES

CUSTOM EZOPRINT



YOUR IMAGE

*EZOPRINT finishes can be applied over EZOBORD Light Beige, Desert Sand, Classic White, Polar Ice base colors.

ENVIRONMENT

Our Commitment to the Environment

There are approximately 50 billion water bottles consumed around the world each year, and only about half of those get recycled. The rest end up in landfills, littered through our neighborhoods, or floating in our oceans.

Bottled water consumption has more than doubled since 2000; in 2015 there was the equivalent of more than 5 bottles of water consumed for every person in the USA every single week. This, of course, means that the amount of oil required to produce the energy used for the water bottling process continues to grow.

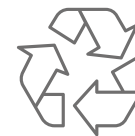
In 2007, the last year global statistics of oil consumption were available, between 32 million and 54 million barrels of oil were used to produce the bottled water that was consumed in the USA alone. This energy is used to make the bottles from PET pellets (1 million tons in the USA), treat water, bottle the water, label the bottles, and transport the bottled water. Most of the energy consumption occurs in the creation of the bottles themselves. To help in the lifecycle of this plastic product, we have chosen to manufacture our material so that it recycles these PET bottles. We are doing our part to reduce the waste. This acoustical and tackable material is made from PET bottles in a zero-waste process with postindustrial recycling. An environmentally friendly, sustainable, and waste reduced alternative to traditional acoustical/tackable material that looks great in any office, education, or open space installation.

EzoBord is



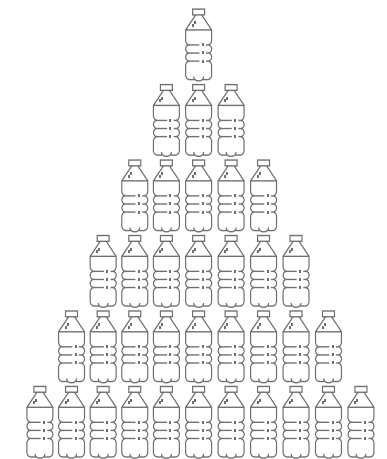
- low VOC
- formaldehyde free

DID YOU KNOW...



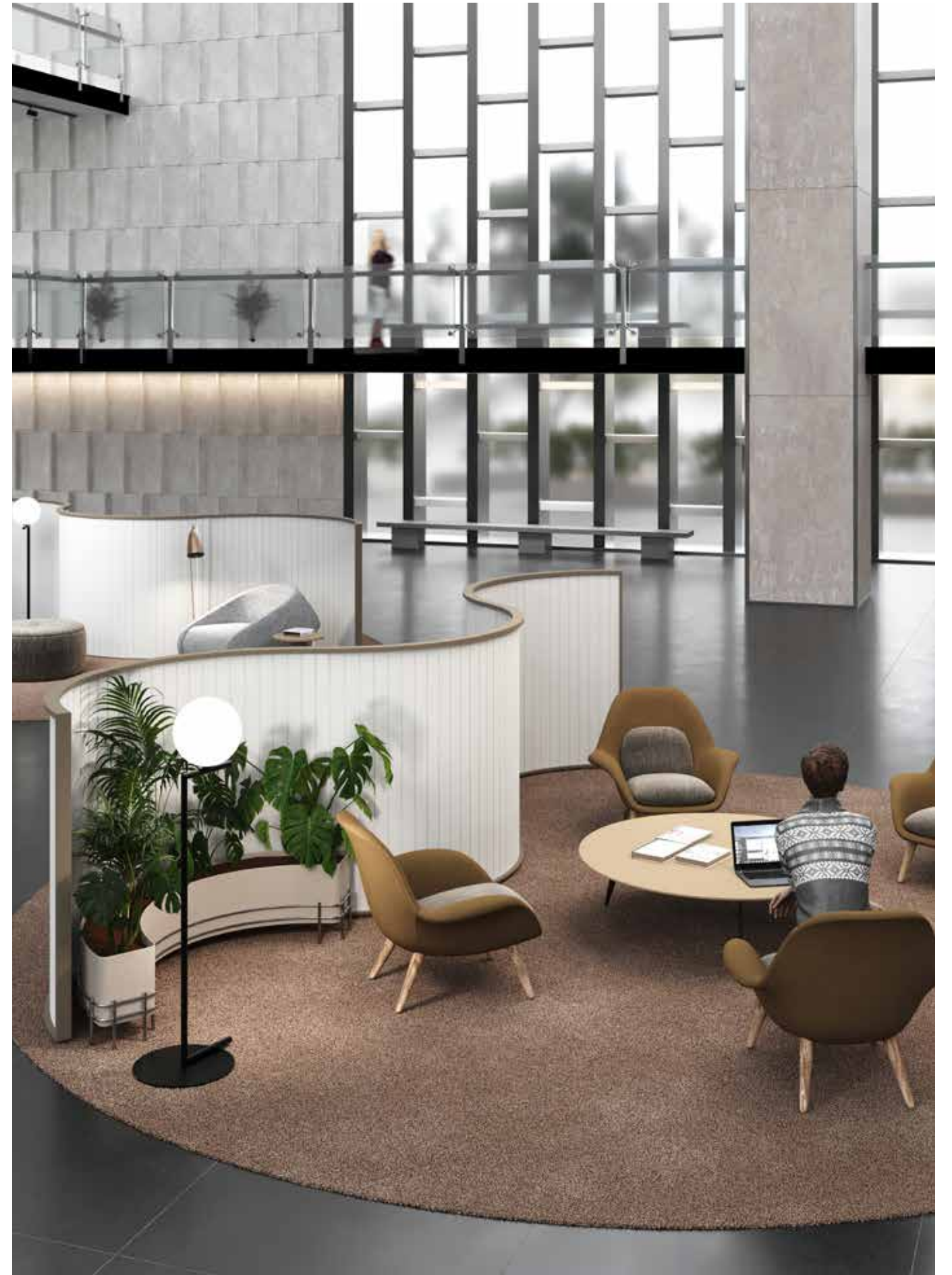
For every pound of recycled PET bottles (approximately 23) energy use is reduced by 84% and greenhouse gas emissions are reduced by 71%.

PET BOTTLES



± 166 pet bottles are used to make one 3/8" 9mm thick EzoBord sheet.

± 318 pet bottles are used to make one 1/2" 12mm thick EzoBord sheet.



CANADA

Ayrsonics Inc - Ontario

825 Trillium Drive
Kitchener, Ontario N2R 1J9
844-441-1122
sales@ayrsonics.com

Ayrsonics Inc - Alberta

292236 Nose Creek Boulevard
Building 1B, Unit #19
Rocky View County, AB T4A 3N7
844-441-1122
sales@ayrsonics.com

EzoBord Corporate Office

6845 Rexwood Road, Unit 7
Mississauga, ON L4V 1S5
416-665-3571
info@ezobord.com

UNITED STATES

Ayrsonics Midwest LLC

820 Tollgate Road
Elgin, IL 60123
800-517-0686
sales.amw@ayrsonicsusa.com

Ayrsonics Southwest LLC

8934 Eton Ave
Canoga Park, CA 91304
213-833-9700
sales.asw@ayrsonicsusa.com

Ayrsonics Southeast LLC

15 Enterprise Way
Dahlonega, GA 30533
706-539-4711
sales.ase@ayrsonicsusa.com

UNITED KINGDOM

EzoBord UK Limited

Unit 20, Westwood Business Park
Margate, Kent. CT9 4JJ
+44 1843-264027
sales@ezobord.co.uk

IRELAND

EzoBord Ireland Limited

Inniscarra, Main Street,
Rathcoole, Co. Dublin,
D24 EO29, Ireland
+353 1485-4774
sales@ezobord.ie

CENTRAL & LATIN AMERICA

EzoBord Costa Rica SRL

100 Sur 25 Oeste Recope
Bodega #16 Ochomogo, Cartago
+506 8842-4613
info-ebcr@ezobord.com

EzoBord - LATAM

Buenos Aires, Argentina
+54 9 11 5657-1793
info-latam@ezobord.com