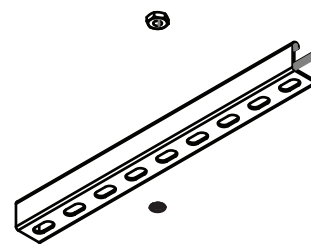
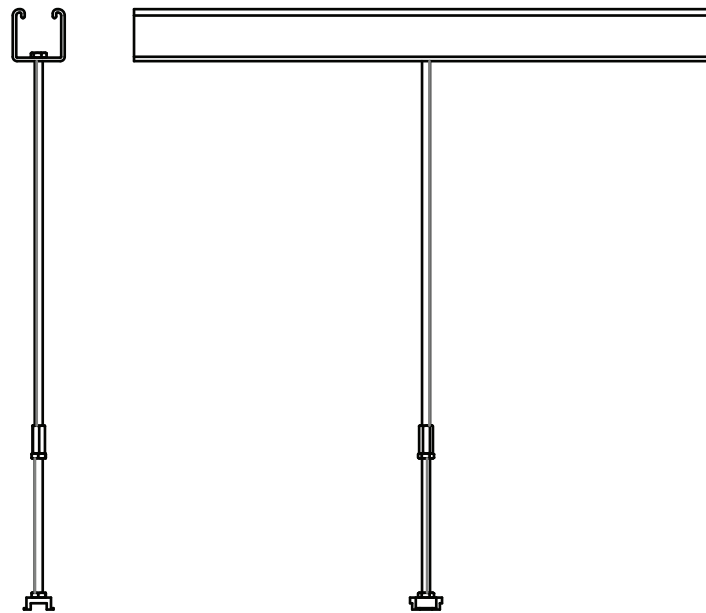


Unistrut Hanger

PARTS:



Nut

Strut
Channel



Stem 2



Coupling
Nut

Stem 1



Nut



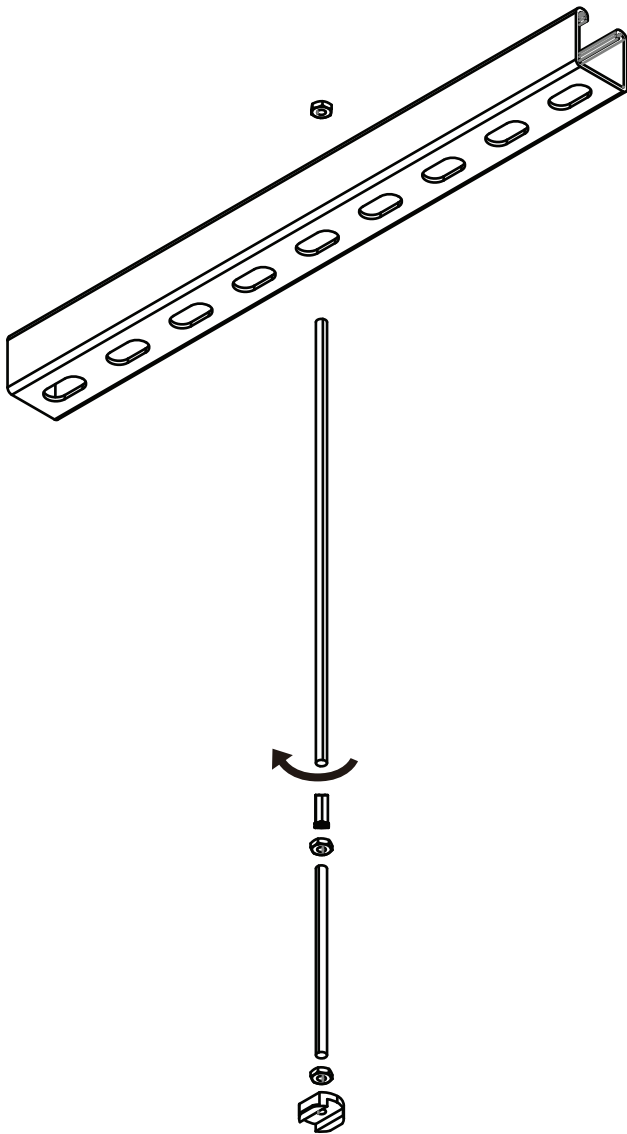
MP-9601-130

Images reflect typical hardware
Options. Please refer to packing list or
Items & quantities specific to your order.

Thank you for your order!

For questions or concerns regarding your order or installation
please contact your local customer service.
Canada: 1-844-441-1122 or sales@ayrsonics.com
USA: 1-847-379-1822 or sales@vervia.net

Unistrut Hanger



1) Locate the hex coupler for hanger installation positioned at the top side of the luminaire

2) Thread in the $\frac{1}{4}$ -20 rod in to the hex coupler on the top side of the luminaire.

3) Repeat step 2 for the other side of the luminaire. (2 hangers per section)

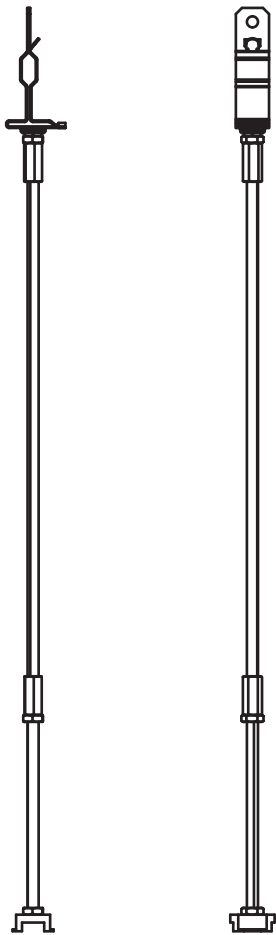
4) Locate the required hanger point on the Unistrut

5) Pass the $\frac{1}{4}$ -20 rod through the Unistrut

6) Use a nut and washer as required on the end of the threaded rod to secure the rod to the Unistrut

T-Bar Clip Hanger

PARTS:



MH-0907-02

Coupling Nut

Stem 1

Coupling Nut

Stem 2

Nut

MP-9601-130

Images reflect typical hardware
Options. Please refer to packing list or
Items & quantities specific to your order.

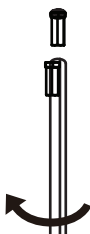
Thank you for your order!

For questions or concerns regarding your order or installation
please contact your local customer service.
Canada: 1-844-441-1122 or sales@ayrsonics.com
USA: 1-847-379-1822 or sales@vervia.net

T-Bar Clip Hanger



1) Locate the hex coupler for hanger installation positioned at the top side of the luminaire.



2) Thread in the $\frac{1}{4}$ -20 rod in to the hex coupler on the top side of the luminaire.



3) Thread one $\frac{1}{4}$ -20 nut and hex coupler on to the t-bar clip.



4) Thread the top section of the $\frac{1}{4}$ -20 rod in to the t-bar clip

5) Raise the assembly to the desired location on the T-bar to mount

6) Secure the T-bar clip by joining the two halves together

7) Support the T-bar clip by using aircraft cable to a suitable suspension point