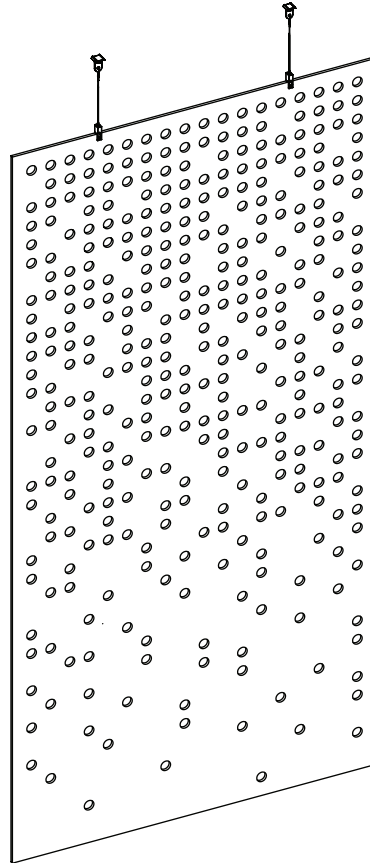


ASSEMBLY INSTRUCTIONS

T-BAR CLIP



INSTALLATION HARDWARE



**WORK ZONE
DIVIDER**



PUSH CLIPS



CABLE



WIRE CRIMPS



T BAR CLIP

*Images reflect typical hardware options. Please refer to packing list for items & quantities specific to your order

Thank you for your order!

For questions or concerns regarding your order or installation, please contact customer service at 1-844-441-1122 or via email at sales@ayrsonics.com (Canada) or info@usa.ayrsonics.com (USA).

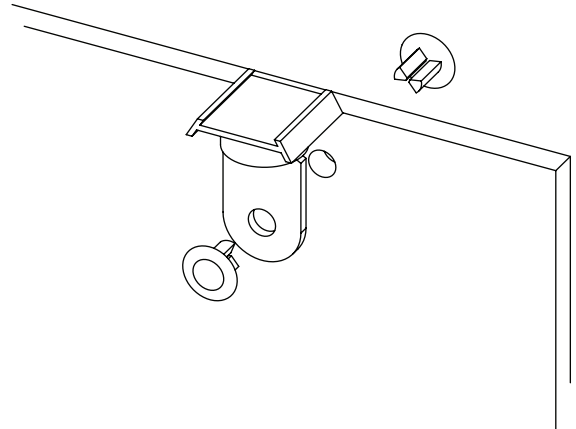
ASSEMBLY INSTRUCTIONS

T-BAR CLIP

DIRECT MOUNT/SUSPENDED

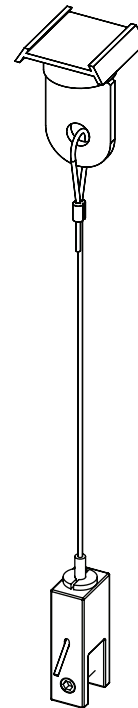
DIRECT MOUNT

- 1 Locate pickpoint locations on both ceiling and product
- 2 Mark and drill pilot hole into Ezo product
- 3 Fasten T-bar clip onto product using one pair of push clips
- 4 Snap T-bar clip onto ceiling grid T-bar



SUSPENDED

- 1 Loop one end of wire through the hole in the T-bar clip
- 2 Using crimpers (not supplied) crimp the wire together with supplied crimp
- 3 Attach wire to product hardware (as per product instructions)
- 4 Snap T-bar clip onto ceiling grid T-bar



RECOMMENDED TOOLS

Drill - Level - Laser - Tape Measure - Allen Key

Thank you for your order!

For questions or concerns regarding your order or installation, please contact customer service at 1-844-441-1122 or via email at sales@ayrsonics.com (Canada) or info@usa.ayrsonics.com (USA).