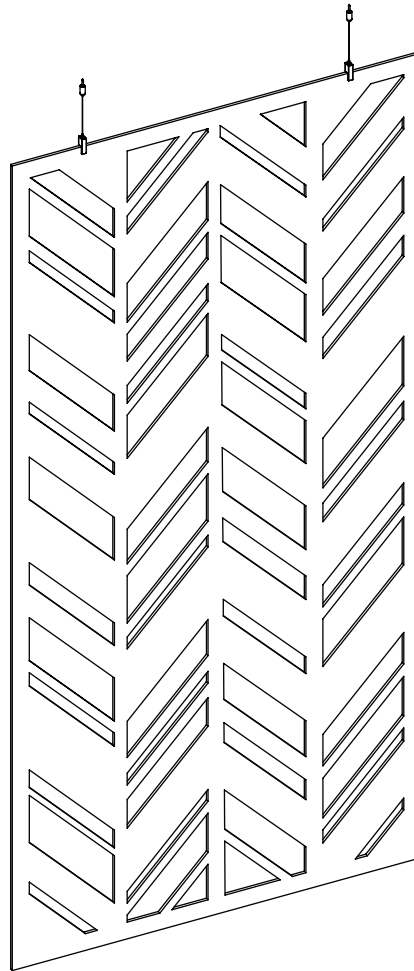


ASSEMBLY INSTRUCTIONS

UPPER SUSPENSION HOUSING



INSTALLATION HARDWARE



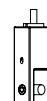
**WORK ZONE
DIVIDER**



TOP CAP
(4M CABLE INCLUDED)



BRASS LOCATOR



EZO CLAMP

*Images reflect typical hardware options. Please refer to packing list for items & quantities specific to your order

Thank you for your order!

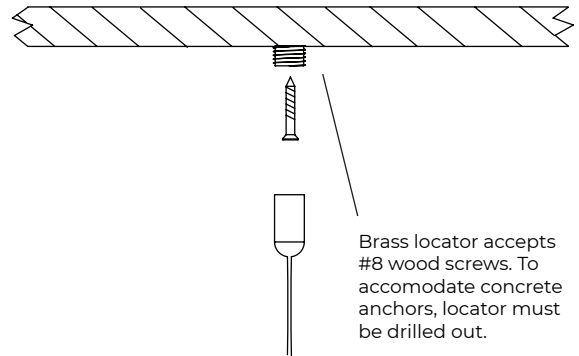
For questions or concerns regarding your order or installation, please contact customer service at 1-844-441-1122 or via email at sales@ayrsonics.com (Canada) or info@usa.ayrsonics.com (USA).

ASSEMBLY INSTRUCTIONS

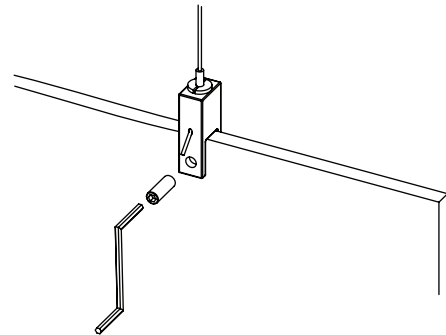
WORK ZONE DIVIDER

UPPER SUSPENSION HOUSING

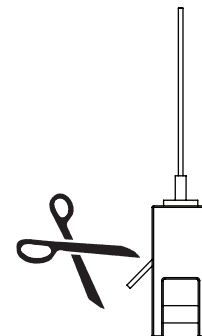
- 1 Locate available pick points on ceiling in relation to WZD suspension locations. (Recommended 6-12" inset)
- 2 Mount brass locator securely onto ceiling with substrate appropriate fasteners (not included)
- 3 Thread top cap onto brass locator by hand only



- 4 Determine suspension points on WZD
- 5 Mark and drill pilot hole on WZD
- 6 Attach Ezo Clamp to the WZD in predetermined location using the set screw supplied with clamp



- 7 Raise unit to desired height by depressing Ezo Clamp top nozzle and threading cable through from top (Ezo Clamp will lock when nozzle is released)
- 8 Hand tighten top nozzle and trim excess cable



RECOMMENDED TOOLS

Drill - Level - Laser - Tape Measure - Allen Key

Thank you for your order!

For questions or concerns regarding your order or installation, please contact customer service at 1-844-441-1122 or via email at sales@ayrsonics.com (Canada) or info@usa.ayrsonics.com (USA).