



ZEN GRID



MEET ZEN GRID

WALL TO WALL
BEAMS SIZE 7" x 8"
GRID DENSITY 32" x 32"
ASH EZP-WGP-AS06 WOODGRAIN FINISH
SUSPENSION MOUNT



Zen Grid is a lightweight, modular suspended ceiling system designed for both aesthetics and acoustic performance. Built with an interlocking beam matrix, it offers designers maximum flexibility with endless configurations, beam sizes, and finishes. Available in standard configurations with or without borders, Zen Grid can also include optional tiles to create a coffered ceiling look and boost acoustics.

Made from EzoBord's 100% PET acoustic panels (minimum 50% recycled content), Zen Grid comes in various colors and finishes, including EzoFelt and EzoPrint Woodgrain and Concrete. Enhance your calm with Zen Grid's acoustic power in your space.



WALL TO WALL
BEAMS SIZE 3" x 4"
GRID DENSITY 18" x 18"
ASH EZP-WGP-AS06 WOODGRAIN FINISH WITH GRID TILE
DIRECT CEILING MOUNT



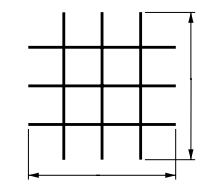
WALL TO WALL
 BEAMS SIZE 3" x 8"
 GRID DENSITY 40" x 40"
 SILVER GRAY CG04 EZOBORD COLOR
 SUSPENSION MOUNT

KEY DESIGN CONSIDERATIONS FOR ZEN GRID

To specify your Zen Grid product, consider these essential aspects to align with your design vision and spatial requirements:

1. ROOM AND GRID COVERAGE

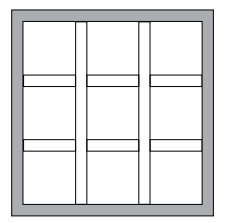
Please provide the room's dimensions and specify the desired overall grid size.



Determine if the grid should span the entire space from end to end, or whether it is meant to float as a cloud structure

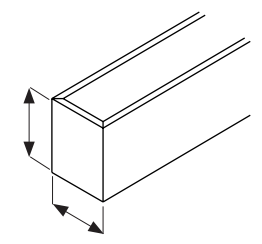
2. GRID PERIMETER

Specify whether the perimeter should be finished with fascia or without it



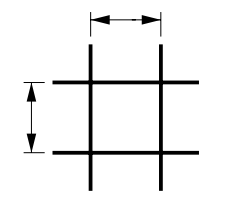
3. BEAM SIZES

Specify the cross-sectional dimensions for the beams.



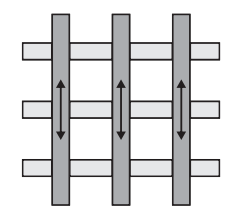
4. BEAM SPACING

Specify the optimal spacing between beams and whether the spacing should be uniform in both directions.



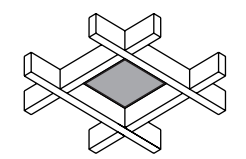
5. CONFIGURATION

Indicate whether the beam sizes should be consistent in both directions.



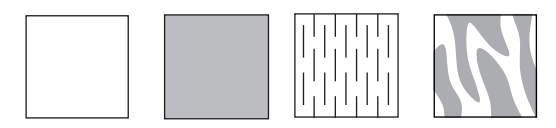
6. OPTIONAL GRID TILES

Specify whether the grid should include tiles and if tile caps are required. If so, indicate the preferred style. Additionally, confirm whether cutouts are needed for lights, fire sprinklers, or other fixtures.



7. COLORS AND FINISHES

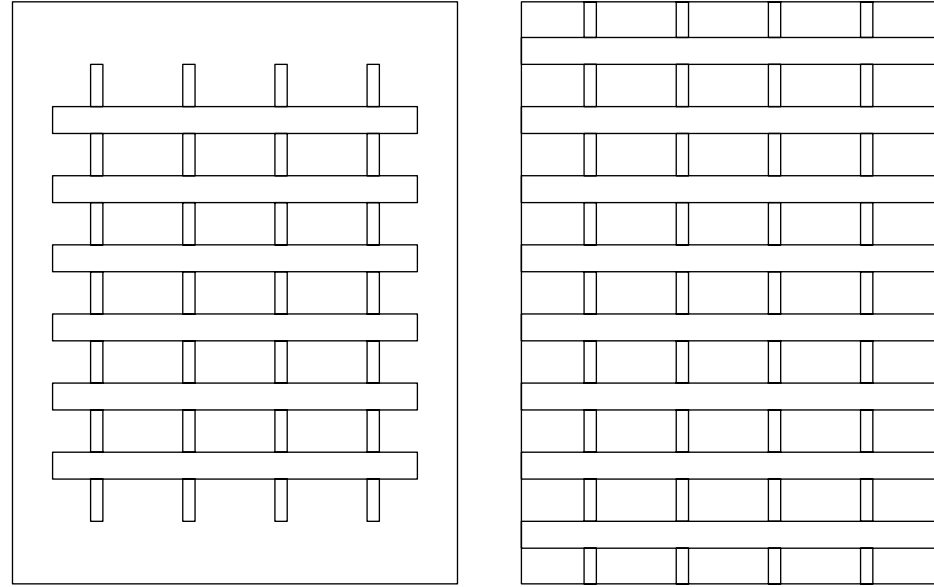
Indicate the desired color or finish for the grid, whether the grid elements should have different colors, and if custom printing is an option, provide the preferred designs.



These specifications will help create a Zen Grid configuration that aligns with both practical needs and design goals, resulting in an aesthetically pleasing space with acoustical integrity.

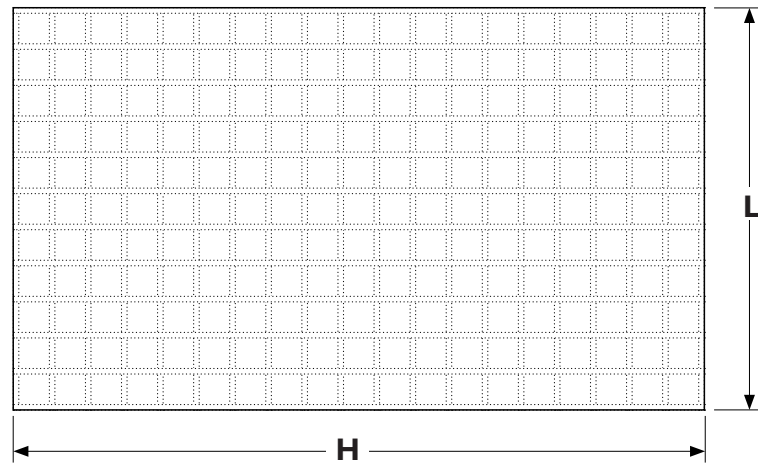
1. ROOM AND GRID COVERAGE

DETERMINE IF IT WILL BE A CLOUD OR A WALL TO WALL SYSTEM



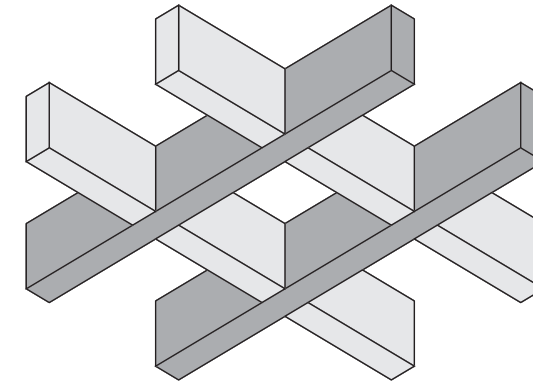
It can grow in both directions independently since it's not determined by a square grid

SIZE OF THE AREA

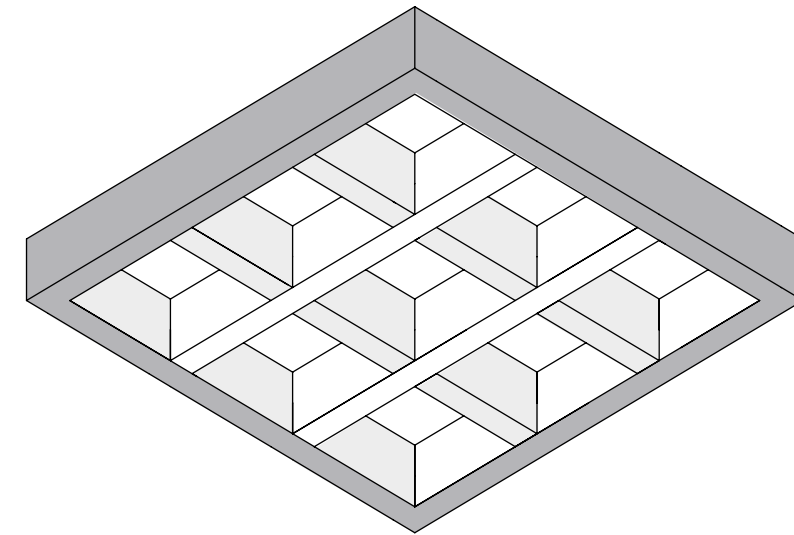


2. GRID PERIMETER

WITHOUT FASCIA



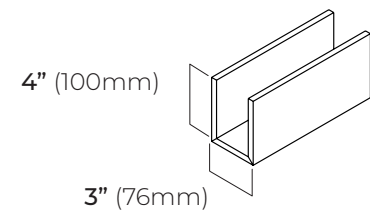
WITH FASCIA



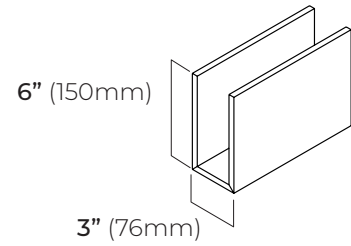
3. BEAM SIZES

STANDARD BEAM SIZES

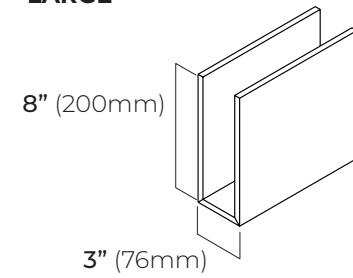
SMALL



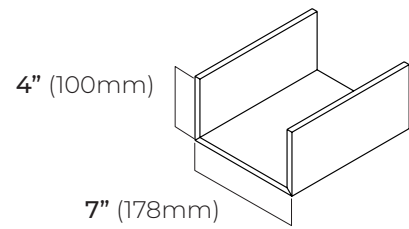
MEDIUM



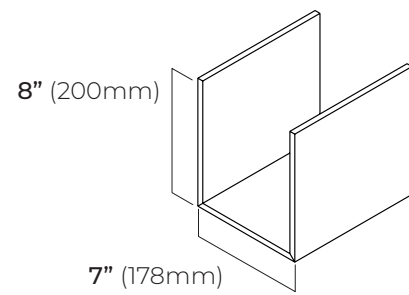
LARGE



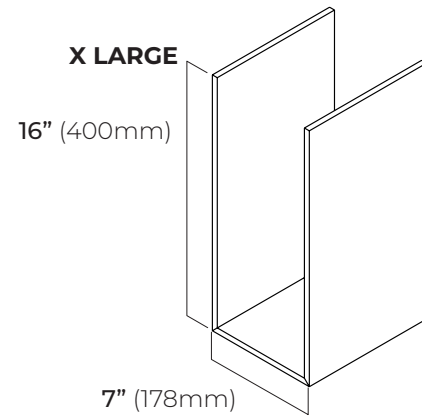
MEDIUM



LARGE



X LARGE



CUSTOM BEAM SIZES

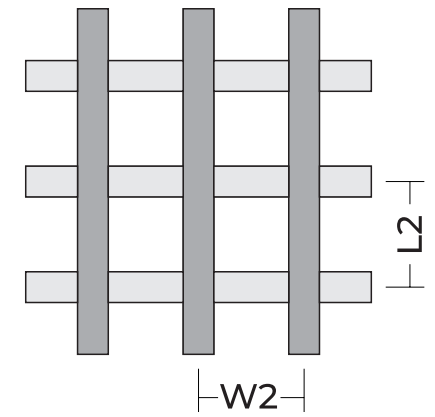
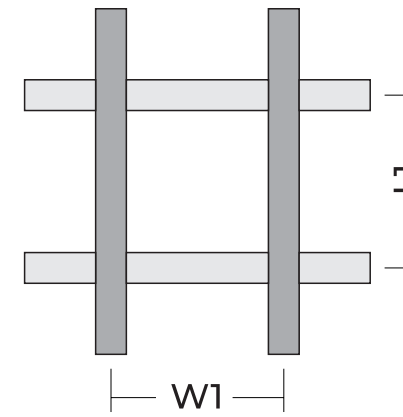
SIZE	W+2H
SMALL	up to 11.5"
MEDIUM	12" to 15.5"
LARGE	16" to 23.5"
XLARGE	24" to 47.5"

Minimum Beam Width: 2" for suspended mount
3" for direct mount

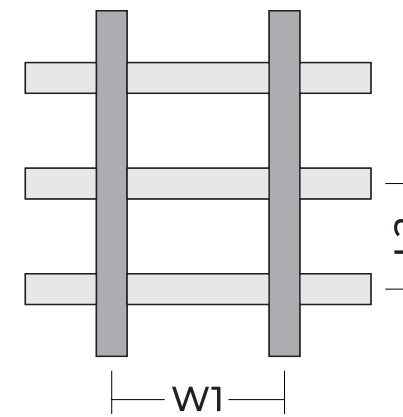
Minimum Beam Height: 4"

Maximum Beam Size: W+2H = 47"

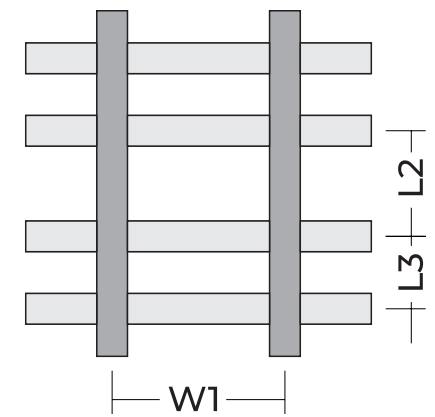
4. BEAM SPACING



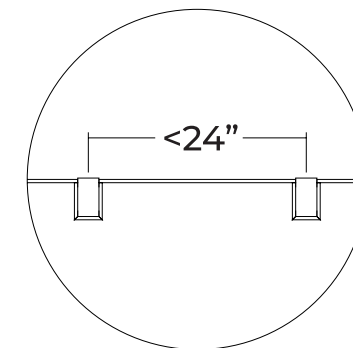
SPACING WITH SAME DENSITY IN BOTH DIRECTIONS



SPACING WITH DIFFERENT DENSITY ON EACH DIRECTION

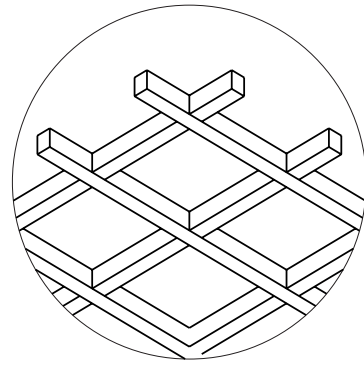


SPACING WITH VARIABLE DENSITY ON EACH DIRECTION

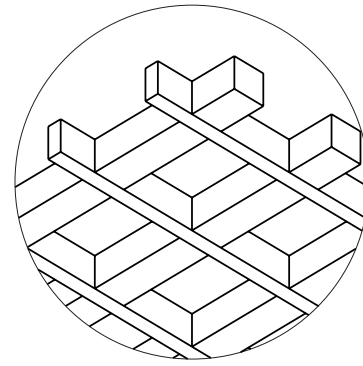


MAX 24" ONE DIRECTION
OTHER DIRECTION CAN BE UP TO 95"

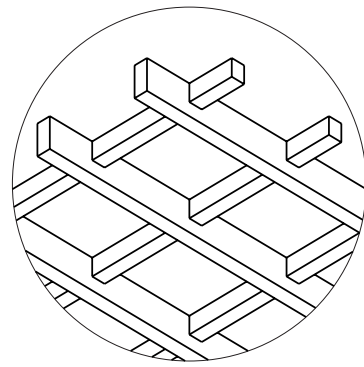
5. CONFIGURATIONS



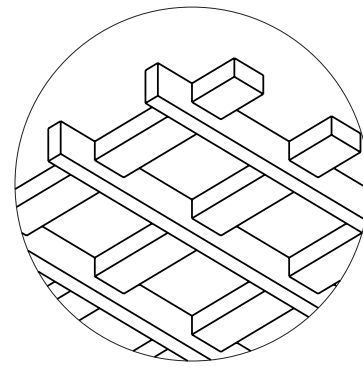
SAME HEIGHT, SAME WIDTH



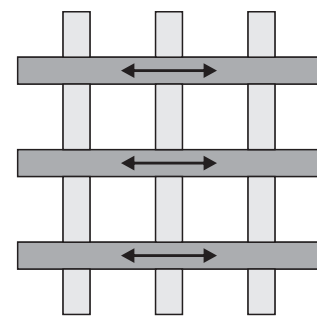
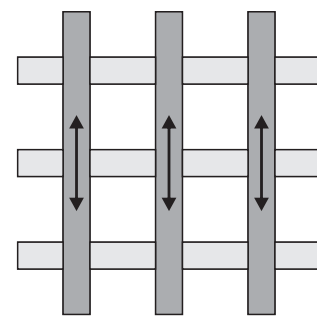
SAME HEIGHT, DIFFERENT WIDTH



DIFFERENT HEIGHT, SAME WIDTH

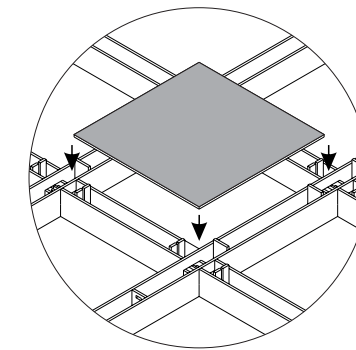
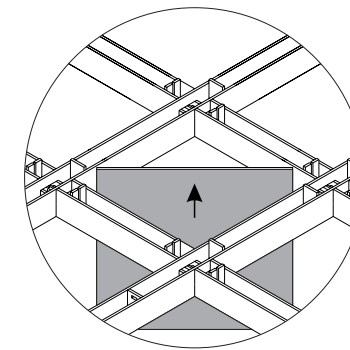
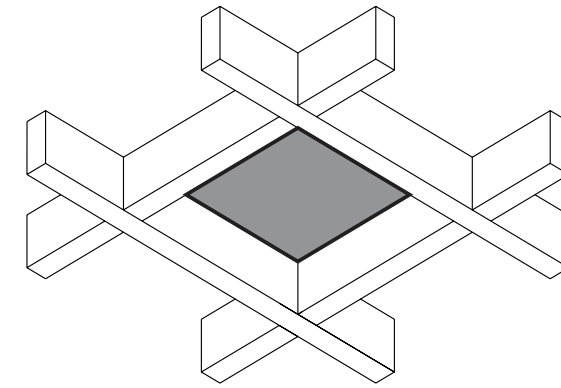


DIFFERENT HEIGHT, DIFFERENT WIDTH



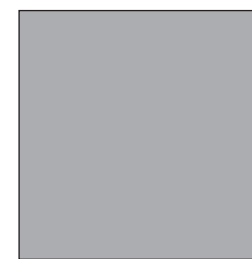
**The direction of the bottom beams affects the position of the pick-points and they are the tallest in cases of beams with different heights*

6. OPTIONAL GRID TILES

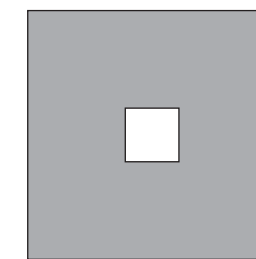


EASY TO MOUNT

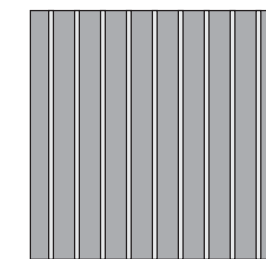
GRID TILE OPTIONS



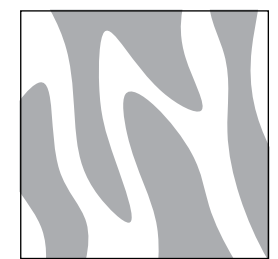
SOLID



CUTOUT FOR LIGHTS
OR SPRINKLERS



CARVE FINISH



PRINT FINISH



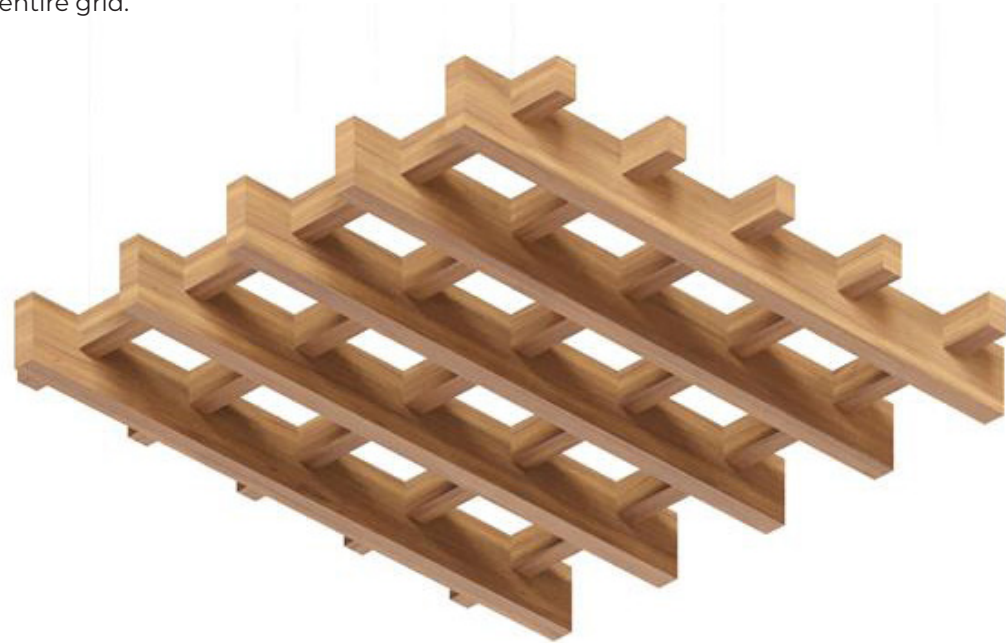
WALL TO WALL
BEAMS SIZE 7" x 8"
GRID DENSITY 24" x 24"
SAGE 2-567 EZOFELT FINISH
DIRECT CEILING MOUNT

7. COLORS AND FINISHES

ZenGrid offers versatile options for grid color applications to suit various design needs. With flexibility in customizing the look and feel of grid structures, you can select from four unique configurations, each creating a distinctive visual impact:

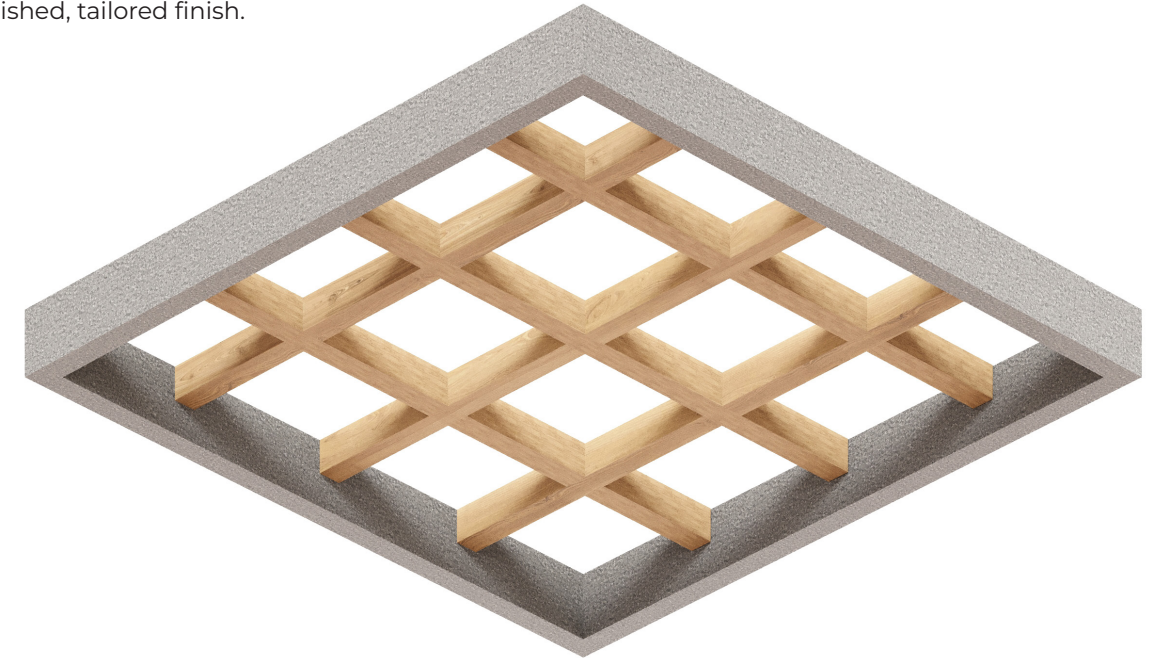
Beams Uniform in Color:

Apply a consistent color to all beams, creating a clean and cohesive look across the entire grid.



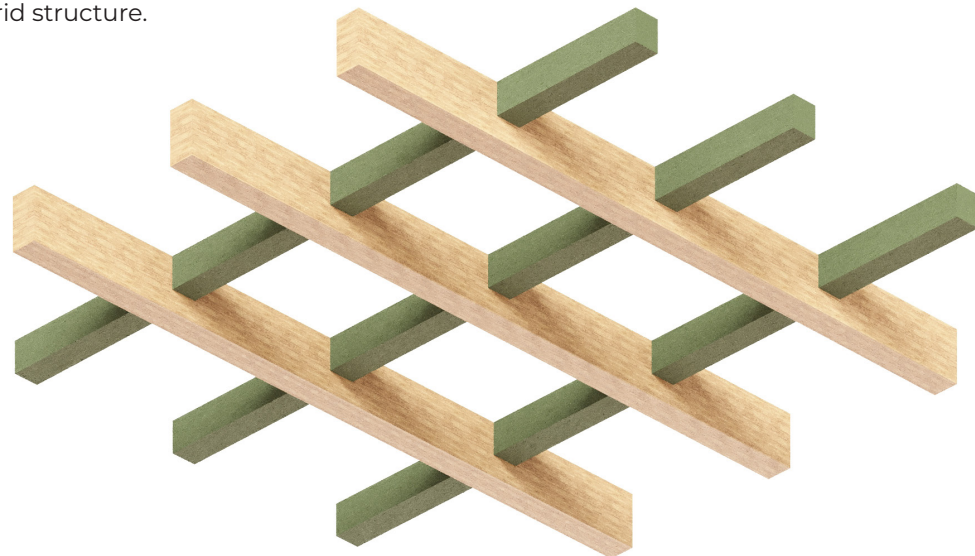
Different Fascia Color:

Define the fascia beams with a distinct color, framing the grid for a polished, tailored finish.



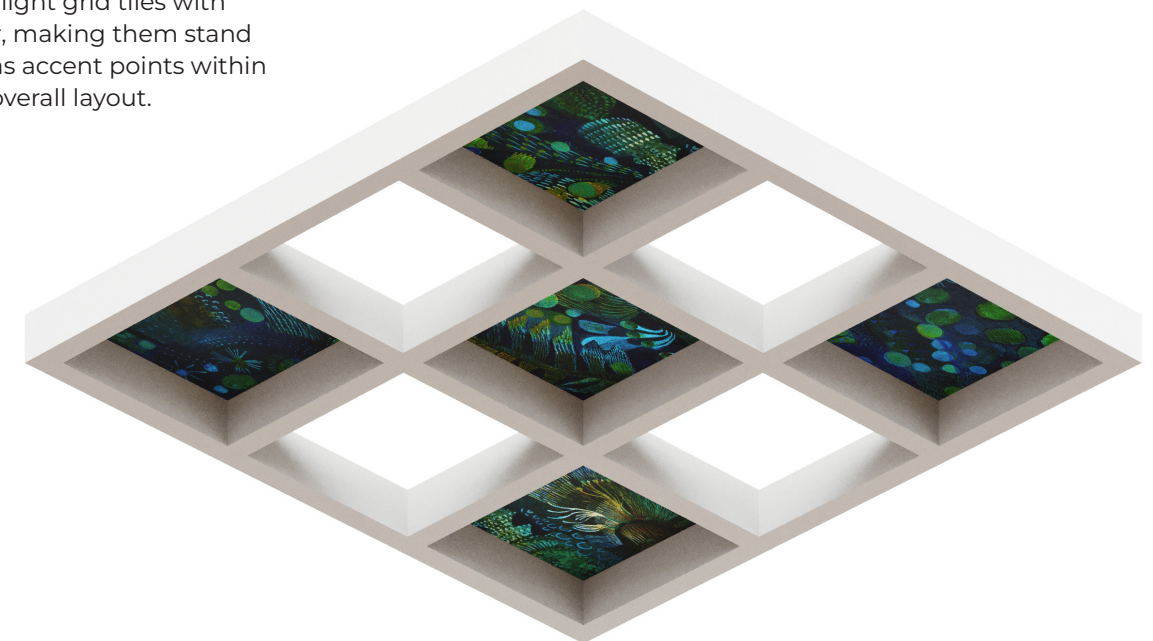
Alternate Colors on Cross Beams:

Different colors on each cross beam add visual interest and depth, allowing for creative expression within the grid structure.



Printed Tiles:

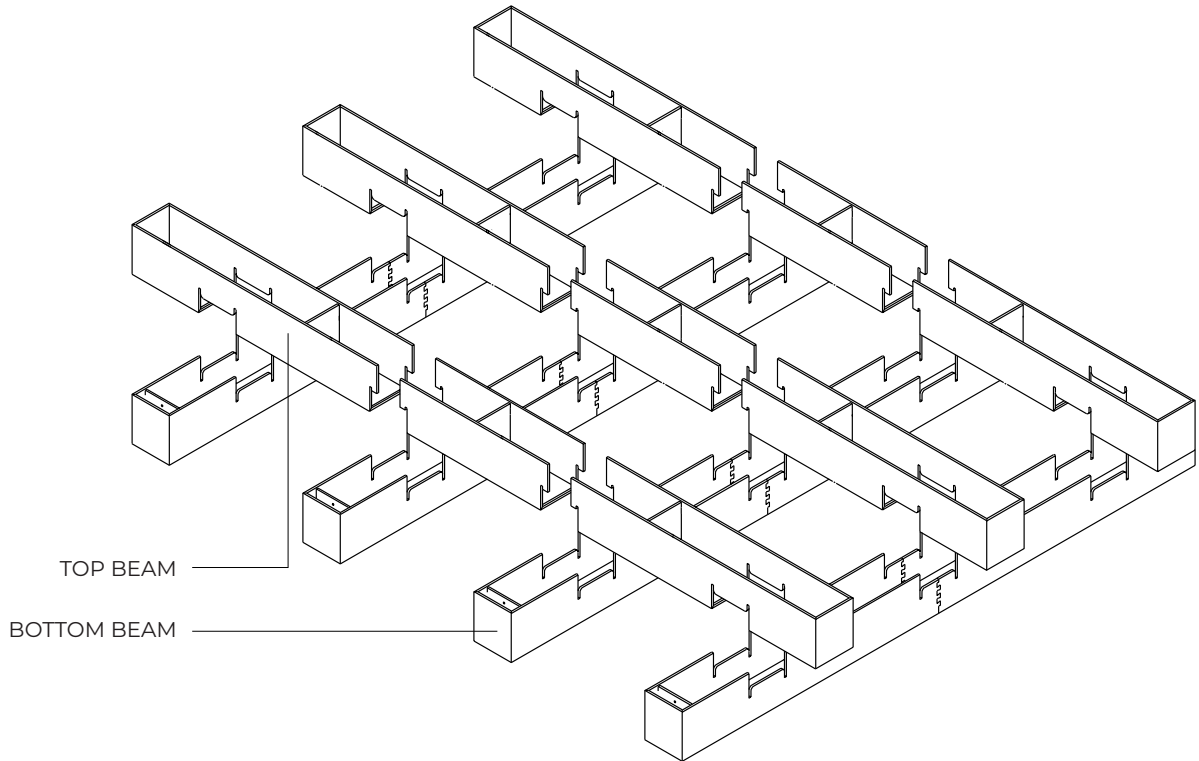
Highlight grid tiles with color, making them stand out as accent points within the overall layout.



Print: Robin Sprong Aqua by Este MacLeod

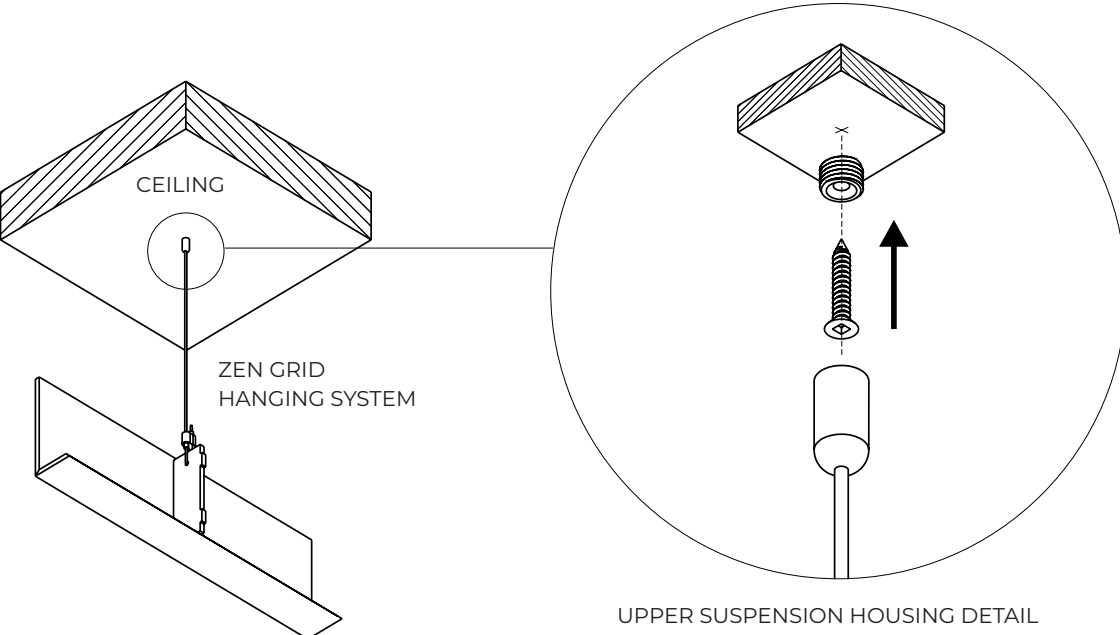
EASY TO INSTALL

MOUNTING OPTIONS

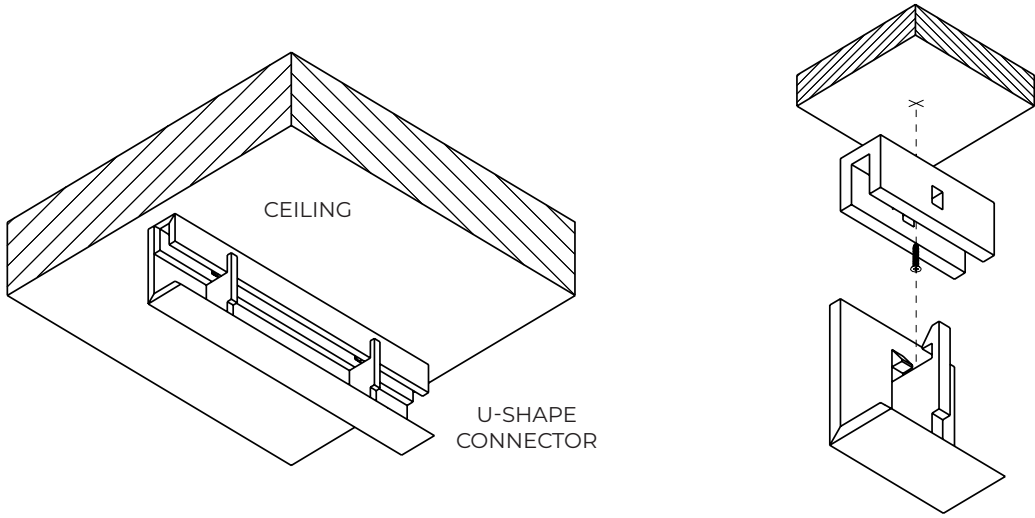


Pre-assembled beams easily connect to form your desired grid configuration. The system supports both suspension and direct ceiling mounting, regardless of the beam sizes, finishes, or layout!

SUSPENSION MOUNT



DIRECT CEILING MOUNT



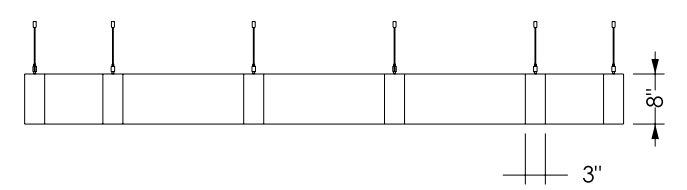
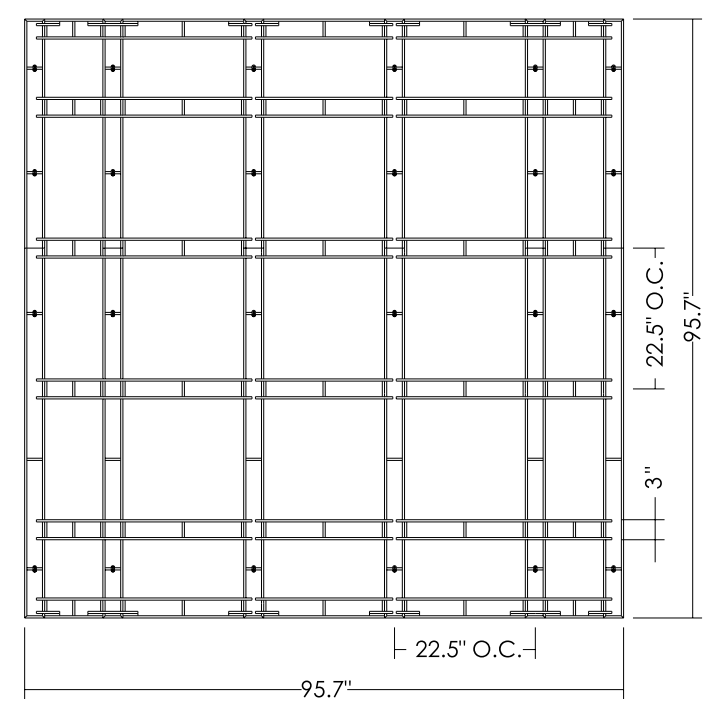
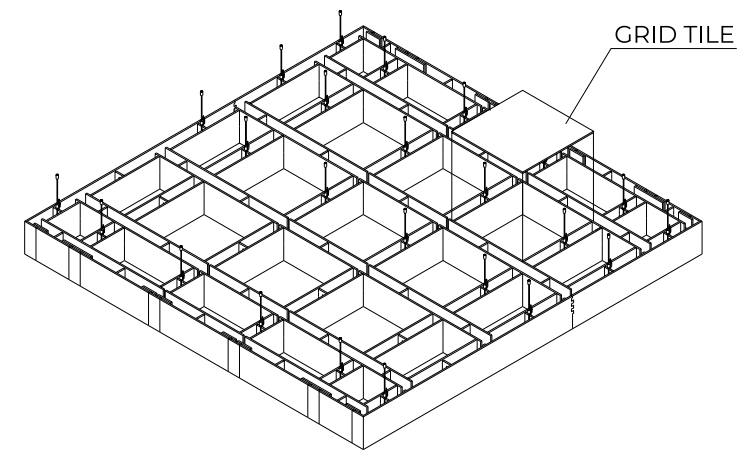


CLOUD
 BEAMS SIZE 3" x 8"
 GRID DENSITY 22.5" x 22.5"
 SPRUCE 2-562ML EZOFELT FINISH
 SUSPENSION MOUNT

EXAMPLES

ZEN GRID CLOUD WITH FASCIA AND TILE

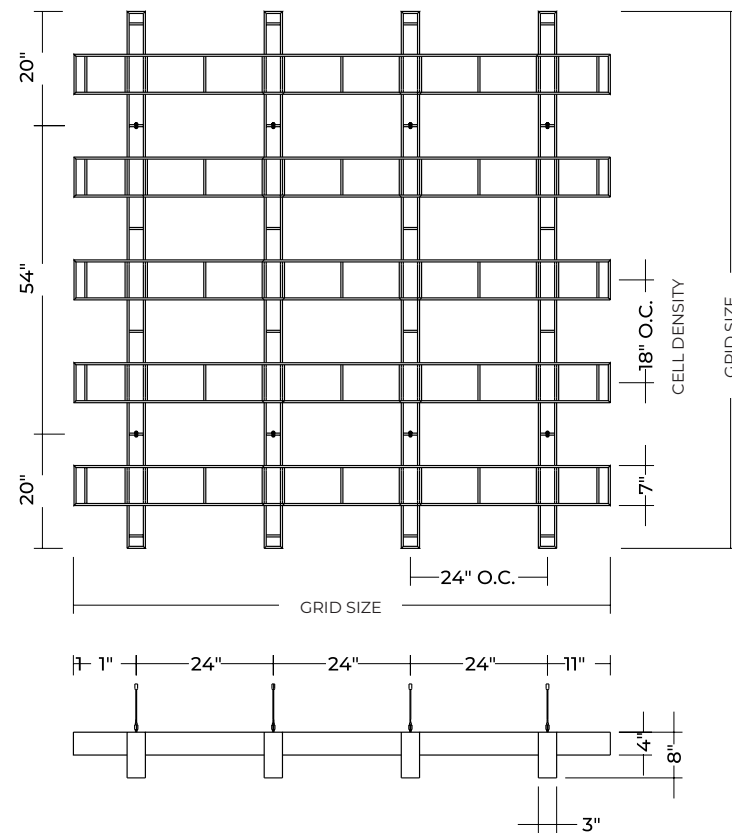
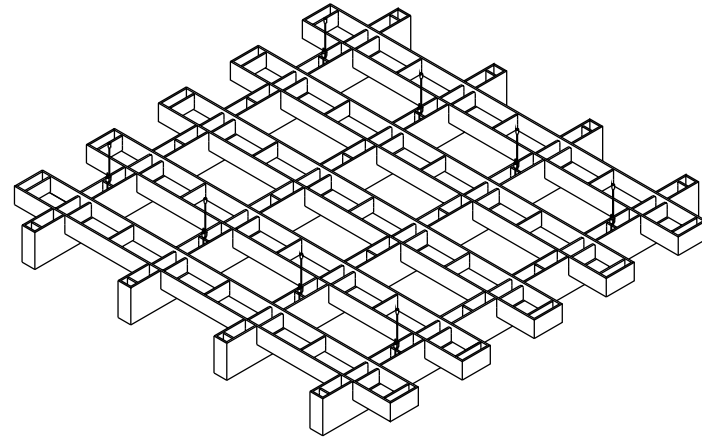
BEAM SIZE (W x H)	GRID SIZE	CELL DENSITY (OC)	COLORS
3" x 8"	96" x 96"	22.5"	SPRUCE 2-562ML



EXAMPLES

ZEN GRID WALL TO WALL WITH VARIABLE BEAM SIZES AND SPACING

BEAM SIZE (W x H)	GRID SIZE	CELL DENSITY (OC)	COLORS
3" x 8" / 7" x 4"	WALL TO WALL	24" / 18"	LIGHT BEIGE - LB01 YELLOW OAK - EZP-WGP-YO09 (WOODGRAIN PRINT)



WALL TO WALL
BEAMS SIZE 3" x 8" / 7" x 4"
GRID DENSITY 24" x 18"
LIGHT BEIGE - LB01 / YELLOW OAK - EZP-WGP-YO09 (WOODGRAIN PRINT)
SUSPENSION MOUNT

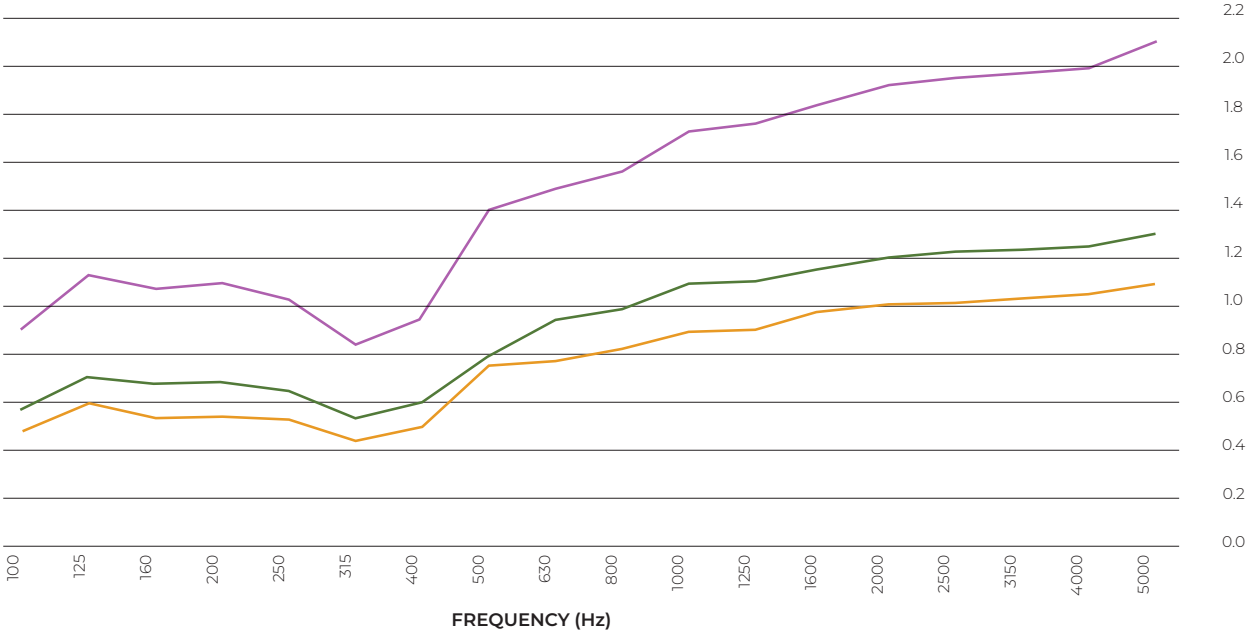
ZEN GRID NRC VALUES*

ZEN GRID

SOUND ABSORPTION COEFFICIENTS
ASTM C423-23

DIMENSIONS	NRC	125	250	500	1000	2000	4000
SMALL	0.80	0.60	0.54	0.74	0.91	1.01	1.05
MEDIUM	0.95	0.72	0.65	0.89	1.09	1.21	1.25
LARGE	1.55	1.15	1.04	1.41	1.74	1.93	1.99

BEAM SPACING: 18" O.C.

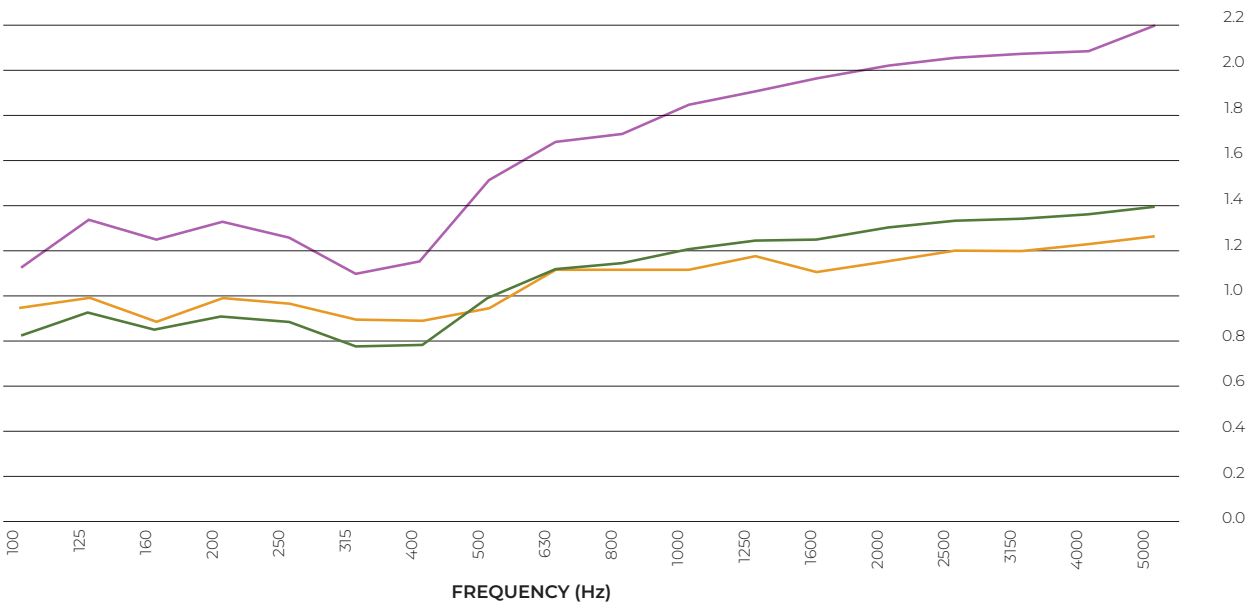


ZEN GRID + TILES

SOUND ABSORPTION COEFFICIENTS
ASTM C423-23

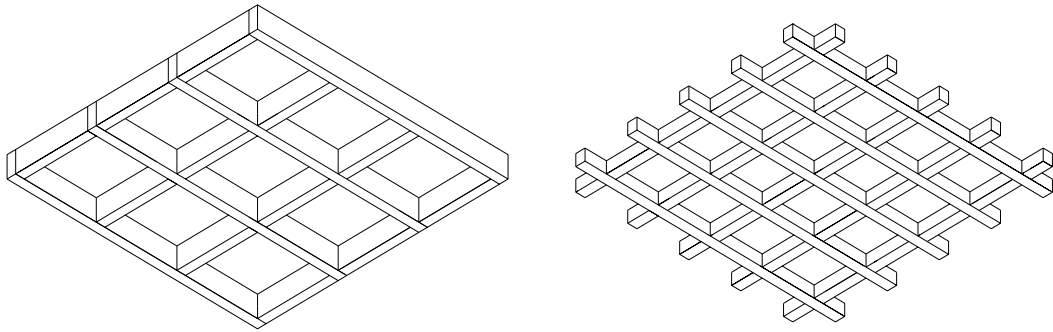
DIMENSIONS	NRC	125	250	500	1000	2000	4000
SMALL	1.05	0.99	0.97	0.95	1.12	1.17	1.23
MEDIUM	1.10	0.92	0.87	1.00	1.20	1.30	1.35
LARGE	1.65	1.34	1.27	1.52	1.85	2.02	2.09

BEAM SPACING: 18" O.C.



NRC values in above tables are calculated based on ASTM C423-23, Type E mount test data for select product configurations. Please refer to applicable test reports for additional information or contact an EzoBord representative for assistance.

SPECIFICATIONS



COMPOSITION

9mm EzoBord, 100% PET acoustic panel (min 50% recycled content)* with optional EzoLayer felt or EzoPrint finishes.

PRODUCT VARIANCES

Variation in fiber mix and color may occur. All products will be supplied within commercial tolerances.

CLEANING

Remove dust and dirt with gentle vacuuming (no brush) or light application of compressed air. Care should be taken not to rub or abrade the surface. Warm distilled water may be used to remove stains. If necessary, a color safe cleaning solution may be used. If using a cleaner be sure to test in an inconspicuous location first. Do not use bleach or solvent based cleaners.

FIRE TESTING

- NORTH AMERICA:**
- ASTM E-84 Class A*
 - CAN ULC S102-10
- EUROPE AND UK:**
- EN13501-1: 2007

ENVIRONMENT

This product is made from 100% polyester fiber with minimum 50% recycled content and contributes to LEED MR Credit and BREEAM Health and Wellbeing Materials points due to recycled content, acoustic performance, and low VOC emitting materials. Other specifications include:

- Low VOC, CDPH v1.2 compliant
- Reach Compliant
- Declare - Red List Free
- Health Product Declaration
- Zero waste manufacturing initiative

USGBC LEED V4 CREDITS

While individual products do not 'earn' LEED credits, EzoBord can contribute to the following LEED v4 Credits. Please refer to the USGBC LEED credit guides for detailed requirements.

- EQc9 for enhancing acoustic performance
- MRc3 BPDO for sourcing of raw materials for recycled contribution
- EQc6 interior lighting for surface reflectance (lighter color options).





WALL TO WALL
BEAMS SIZE 3" x 4"
GRID DENSITY 18" x 18"
CHARCOAL GRAY CG06 EZOBORD COLOR WITH GRID TILE
DIRECT CEILING MOUNT

ENVIRONMENT

Our Commitment to the Environment

There are approximately 50 billion water bottles consumed around the world each year, and only about half of those get recycled. The rest end up in landfills, littered through our neighborhoods, or floating in our oceans.

Bottled water consumption has more than doubled since 2000; in 2015 there was the equivalent of more than 5 bottles of water consumed for every person in the USA every single week. This, of course, means that the amount of oil required to produce the energy used for the water bottling process continues to grow.

In 2007, the last year global statistics of oil consumption were available, between 32 million and 54 million barrels of oil were used to produce the bottled water that was consumed in the USA alone. This energy is used to make the bottles from PET pellets (1 million tons in the USA), treat water, bottle the water, label the bottles, and transport the bottled water. Most of the energy consumption occurs in the creation of the bottles themselves. To help in the lifecycle of this plastic product, we have chosen to manufacture our material so that it recycles these PET bottles. We are doing our part to reduce the waste. This acoustical and tackable material is made from PET bottles in a zero-waste process with postindustrial recycling. An environmentally friendly, sustainable, and waste reduced alternative to traditional acoustical/tackable material that looks great in any office, education, or open space installation.

EzoBord is



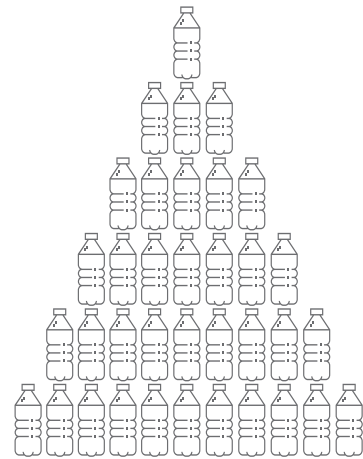
- low VOC
- formaldehyde free

DID YOU KNOW...



For every pound of recycled PET bottles (approximately 23) energy use is reduced by 84% and greenhouse gas emissions are reduced by 71%.

PET BOTTLES



± 166 pet bottles are used to make one $\frac{3}{8}$ " 9mm thick EzoBord sheet.

± 318 pet bottles are used to make one $\frac{1}{2}$ " 12mm thick EzoBord sheet.

WALL TO WALL
BEAMS SIZE 3.2" x 8" TO 7" x 4"
GRID DENSITY 9" x 9"
WALNUT EZP-WGP-WA01 WOODGRAIN FINISH
DIRECT CEILING MOUNT



DESIGN
DRIVEN
ACOUSTICS

CANADA

Ayrsonics Inc - Ontario

825 Trillium Drive
Kitchener, Ontario N2R 1J9
844-441-1122
sales@ayrsonics.com

Ayrsonics Inc - Alberta

292236 Nose Creek Boulevard
Building 1B, Unit #19
Rocky View County, AB T4A 3N7
844-441-1122
sales@ayrsonics.com

EzoBord Corporate Office

6845 Rexwood Road, Unit 7
Mississauga, ON L4V 1S5
416-665-3571
info@ezobord.com

UNITED STATES

Ayrsonics Midwest LLC

820 Tollgate Road
Elgin, IL 60123
800-517-0686
sales.amw@ayrsonicsusa.com

Ayrsonics Southwest LLC

13430 N Dysart Rd. Suite 120
Surprise, AZ 85379
213-833-9700
sales.asw@ayrsonicsusa.com

Ayrsonics Southeast LLC

15 Enterprise Way
Dahlonega, GA 30533
706-539-4711
sales.ase@ayrsonicsusa.com

UNITED KINGDOM

EzoBord UK Limited

Unit 20, Westwood Business Park
Margate, Kent. CT9 4JJ
+44 1843-264027
sales@ezobord.co.uk

IRELAND

EzoBord Ireland Limited

Inniscarra, Main Street,
Rathcoole, Co. Dublin,
D24 EO29, Ireland
+353 1485-4774
sales@ezobord.ie

CENTRAL & LATIN AMERICA

EzoBord Costa Rica SRL

100 Sur 25 Oeste Recope
Bodega #16 Ochomogo, Cartago
+506 8842-4613
info-ebcr@ezobord.com

EzoBord - LATAM

Buenos Aires, Argentina
+54 9 11 5657-1793
info-latam@ezobord.com

FOLLOW US    